



Villa LED

BSP765 LED40-4S/830 PSD DN10 BK D9

VILLA LED - LED module 4000 lm - 4th generation, screw fixation - 830 warm white - Power supply unit with DALI interface - Safety class I (I) - Distribution narrow 10 - Flat glass - Black - Dimming via external communication DALI - 25 °C

Villa LED retains the specific proportions and shape of the traditional four-sided luminaires originally used in 19th-century Madrid. It allows a remarkable balance between performance and heritage preservation. Now widely used across the Iberian Peninsula, Villa LED is suitable for lighting historical environments and traditional towns and villages. Villa LED also allows municipalities to enjoy the benefits of the latest technologies developed by Philips Lighting, including the CityTouch connected lighting system.

Product data

General Information			
Number of light sources	30 [30 pcs]	Cable	-
Lamp family code	LED40 [LED module 4000 lm]	Protection class IEC	Safety class I (I)
Lamp version	4S [4th generation, screw fixation]	Flammability mark	NO [-]
Light source colour	830 warm white	CE mark	CE mark
Light source replaceable	Yes	ENEC mark	ENEC mark
Number of gear units	1 unit	UL mark	-
Driver/power unit/transformer	PSD [Power supply unit with DALI interface]	Warranty period	5 years
Driver included	Yes	Outdoor optic type	Distribution narrow 10
Optical cover/lens type	FG [Flat glass]	Remarks	*-Per Lighting Europe guidance paper "Evaluating performance of LED based luminaires - January 2018": statistically there is no relevant difference in lumen maintenance between B50 and for example B10. Therefore the median useful life (B50)
Luminaire light beam spread	26° - 7° x 157°		
Control interface	DALI		
Light regulation	Dimming via external communication DALI		
Connection	SCREW [Screw connector]		

Villa LED

	value also represents the B10 value. * At extreme ambient temperatures the luminaire might automatically dim down to protect components
Constant light output	No
Spare parts available	Yes
Number of products on MCB	11
RoHS mark	RoHS mark
WEEE mark	WEEE mark
LED engine type	LED
Product Family Code	BDP765 [VILLA LED]

Light Technical

Upward light output ratio	0.03
Standard tilt angle post-top	0°
Standard tilt angle side entry	0°

Operating and Electrical

Input voltage	220 to 240 V
Input frequency	50 to 60 Hz
Inrush current	46 A
Inrush time	0.25 ms
Driver current	355 mA
Power factor (min.)	0.88
Power factor (nom.)	0.89

Controls and Dimming

Dimmable	Yes
----------	-----

Mechanical and Housing

Housing material	Aluminum
Reflector material	Glass
Optic material	Polymethyl methacrylate
Optical cover/lens material	Glass
Fixation material	Aluminum
Mounting device	SMS [Suspension set simple, standard]
Optical cover/lens shape	Flat
Optical cover/lens finish	Clear
Overall length	440 mm
Overall width	440 mm
Overall height	771 mm

Effective projected area	0.26 m ²
Colour	Black

Approval and Application

Ingress protection code	IP44 [Wire-protected, splash-proof]
Mech. impact protection code	IK09 [10 J]
Surge protection (common/differential)	Surge protection level until 10 kV

Initial Performance (IEC Compliant)

Initial luminous flux	3080 lm
Luminous flux tolerance	+/-7%
Initial LED luminaire efficacy	103 lm/W
Init. Corr. colour temperature	3000 K
Init. colour rendering index	≥80
Initial chromaticity	(0.381, 0.379) SDCM <5
Initial input power	30 W
Power consumption tolerance	+/-11%

Over Time Performance (IEC Compliant)

Control gear failure rate at median useful life 100000 h	10 %
Lumen maintenance at median useful life* 100000 h	L95

Application Conditions

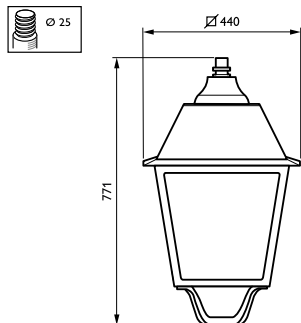
Ambient temperature range	-40 to +50 °C
Performance ambient temperature Tq	25 °C
Maximum dimming level	10%

Product Data

Full product code	871869908980100
Order product name	BSP765 LED40-4S/830 PSD DN10 BK D9
EAN/UPC – product	8718699089801
Order code	08980100
Numerator – quantity per pack	1
Numerator – packs per outer box	1
Material no. (12NC)	912300023470
Net weight (piece)	10.930 kg

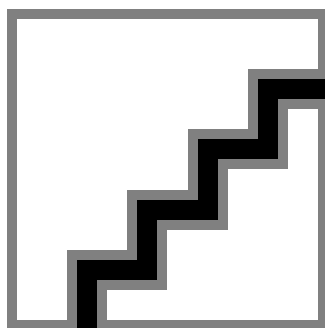
Villa LED

Dimensional drawing

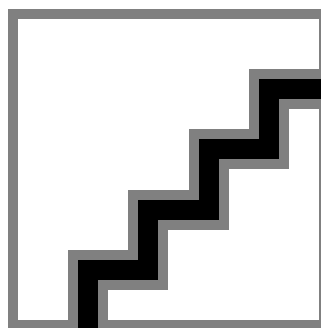


Villa LED BDP765/BSP765

Photometric data



OFPC1_BSP765T251xLED40-4S830DN10



OFPL1_BSP765T251xLED40-4S830DN10

