



# ClearFlood

## BVP650 LED320--4S/740 PSU S ALU

ClearFlood - LED module 32000 lm - LED - Power supply unit - Symmetrical - Aluminum

ClearFlood is a range of floodlights that lets you choose the exact number of lumens you need for your application. Designed around state-of-the-art LEDs and extremely high-efficiency optics, this very competitive solution offers an industry-leading lux per euro ratio and significant energy savings. The choice of different optics opens up new application possibilities for LEDs. ClearFlood is easy to install and perfect for replacing conventional light-points as it uses the same electrical installation and poles. Selecting the required light output is also straightforward.

### Product data

General Information			
Number of light sources	120 pcs	Glow-wire test	Temperature 960 °C, duration 5 s
Lamp family code	LED320 [ LED module 32000 lm]	Flammability mark	For mounting on normally flammable surfaces
Lamp version	4S [ 4th generation, screw fixation]	CE mark	CE mark
Light source color	740 neutral white	ENEC mark	ENEC mark
Light source replaceable	Yes	UL mark	-
Number of gear units	2 units	Warranty period	5 years
Gear	EB [ Electronic]	Optic type outdoor	Symmetrical
Driver/power unit/transformer	Power supply unit	Remarks	*-Per Lighting Europe guidance paper "Evaluating performance of LED based luminaires - January 2018": statistically there is no relevant difference in lumen maintenance between B50 and for example B10. Therefore the median useful life (B50) value also represents the B10 value. * At extreme ambient temperatures the luminaire might automatically dim down to protect components
Driver included	Yes		
Optical cover/lens type	Flat glass		
Luminaire light beam spread	88° x 187°		
Control interface	-		
Connection	Connection unit 3-pole		
Cable	-		
Protection class IEC	Safety class I		

# ClearFlood

Constant light output	No
Spare parts available	Yes
Number of products on MCB of 16 A type 4	
<b>B</b>	
Lifecycle services	Maintenance services
Photobiological risk	Risk group 1
Product recyclability	80%
RoHS mark	RoHS mark
WEEE mark	WEEE mark
Light source engine type	LED
Serviceability class	Class A, luminaire is equipped with serviceable parts (when applicable): LED board, driver, control units, surge protection device, optics, front cover and mechanical parts
Product family code	BVP650 [ ClearFlood]

## Light Technical

Upward light output ratio	0
Initial luminous flux at 25 °C	27688 lm
Standard tilt angle posttop	0°
Standard tilt angle side entry	0°

## Operating and Electrical

Input Voltage	220-240 V
Input Frequency	50 to 60 Hz
Control signal voltage	-
Inrush current	53 A
Inrush time	0.3 ms
Driver current	615 mA
Power Factor (Max)	0.98
Power Factor (Min)	0.96
Power Factor (Nom)	0.9

## Controls and Dimming

Dimmable	No
----------	----

## Mechanical and Housing

Housing Material	Aluminum die cast
Reflector material	-
Optic material	Acrylate
Optical cover/lens material	Glass
Fixation material	Steel
Mounting device	Mounting bracket adjustable
Optical cover/lens shape	Flat
Optical cover/lens finish	Clear

Torque	35
Overall length	562 mm
Overall width	580 mm
Overall height	95 mm
Effective projected area	0.26 m <sup>2</sup>
Color	Aluminum

## Approval and Application

Ingress protection code	IP66 [ Dust penetration-protected, jet-proof]
Mech. impact protection code	IK09 [ 10 J]
Surge Protection (Common/Differential)	Luminaire surge protection level until 6 kV differential mode and 8 kV common mode

## Initial Performance (IEC Compliant)

Initial luminous flux (system flux)	28160 lm
Luminous flux tolerance	+/-7%
Initial LED luminaire efficacy	145 lm/W
Init. Corr. Color Temperature	4000 K
Init. Color Rendering Index	≥70
Initial chromaticity	(0.380, 0.390) SDCM <5
Initial input power	194 W
Power consumption tolerance	+/-11%

## Over Time Performance (IEC Compliant)

Control gear failure rate at median useful life 100000 h	10 %
Lumen maintenance at median useful life* 100000 h	L91

## Application Conditions

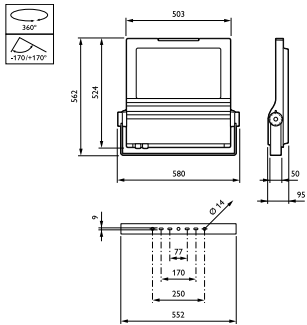
Ambient temperature range	-40 to +50 °C
Performance ambient temperature Tq	25 °C

## Product Data

Full product code	871869909040100
Order product name	BVP650 LED320--4S/740 PSU S ALU
EAN/UPC - Product	8718699090401
Order code	912300023518
Numerator - Quantity Per Pack	1
Numerator - Packs per outer box	1
Material Nr. (12NC)	912300023518
Net Weight (Piece)	16.150 kg

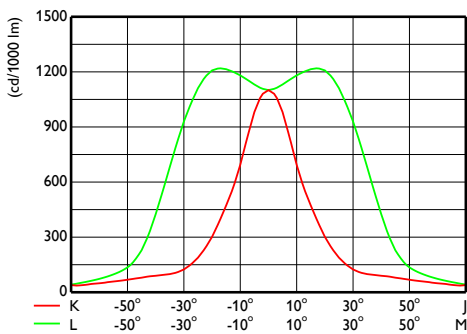
# ClearFlood

## Dimensional drawing

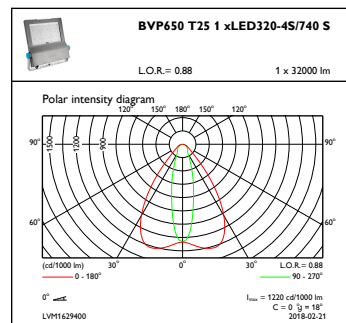


ClearFlood BVP650/651

## Photometric data



OFCS1\_BVP650T251xLED320-4S740S



OFPC1\_BVP650T251xLED320-4S740S

