



ClearFlood

BVP650 LED180--4S/740 PSU OFA52 ALU

ClearFlood - LED module 18000 lm - LED - Power supply unit - Optiflux asymmetrical axis angle 52° - Aluminum

ClearFlood is a range of floodlights that lets you choose the exact number of lumens you need for your application. Designed around state-of-the-art LEDs and extremely high-efficiency optics, this very competitive solution offers an industry-leading lux per euro ratio and significant energy savings. The choice of different optics opens up new application possibilities for LEDs. ClearFlood is easy to install and perfect for replacing conventional light-points as it uses the same electrical installation and poles. Selecting the required light output is also straightforward.

Product data

General Information	
Number of light sources	82 pcs
Lamp family code	LED180 [LED module 18000 lm]
Lamp version	4S [4th generation, screw fixation]
Light source colour	740 neutral white
Light source replaceable	Yes
Number of gear units	2 units
Gear	EB [Electronic]
Driver/power unit/transformer	PSU [Power supply unit]
Driver included	Yes
Optical cover/lens type	FG [Flat glass]
Luminaire light beam spread	130° x 97°
Control interface	-
Connection	CU3 [Connection unit 3-pole]
Cable	-
Protection class IEC	Safety class I (I)

Glow-wire test	960/5 [Temperature 960 °C, duration 5 s]
Flammability mark	F [For mounting on normally flammable surfaces]
CE mark	CE mark
ENEC mark	ENEC mark
UL mark	-
Warranty period	5 years
Outdoor optic type	Optiflux asymmetrical axis angle 52°
Remarks	*-Per Lighting Europe guidance paper "Evaluating performance of LED based luminaires - January 2018": statistically there is no relevant difference in lumen maintenance between B50 and for example B10. Therefore the median useful life (B50) value also represents the B10 value. * At extreme ambient temperatures the luminaire

	might automatically dim down to protect components
Constant light output	No
Spare parts available	Yes
Number of products on MCB	4
Lifecycle services	Maintenance services
Photobiological risk	Risk group 1
Product recyclability	80%
RoHS mark	RoHS mark
WEEE mark	WEEE mark
LED engine type	LED
Product Family Code	BVP650 [ClearFlood]

Light Technical

Upward light output ratio	0
Initial luminous flux at 25°C	15727 lm
Standard tilt angle post-top	0°
Standard tilt angle side entry	0°

Operating and Electrical

Input voltage	220–240 V
Input frequency	50 to 60 Hz
Control signal voltage	-
Inrush current	53 A
Inrush time	0.3 ms
Driver current	490 mA
Power factor (max.)	0.98
Power factor (min.)	0.93
Power factor (nom.)	0.9

Controls and Dimming

Dimmable	No
----------	----

Mechanical and Housing

Housing material	Aluminum die-cast
Reflector material	-
Optic material	Acrylate
Optical cover/lens material	Glass
Fixation material	Steel
Mounting device	MBA [Mounting bracket adjustable]
Optical cover/lens shape	Flat
Optical cover/lens finish	Clear
Torque	35

Overall length	562 mm
Overall width	580 mm
Overall height	95 mm
Effective projected area	0.26 m ²
Colour	Aluminum

Approval and Application

Ingress protection code	IP66 [Dust penetration-protected, jet-proof]
Mech. impact protection code	IK09 [10 J]

Initial Performance (IEC Compliant)

Initial luminous flux	15840 lm
Luminous flux tolerance	+/-7%
Initial LED luminaire efficacy	147 lm/W
Init. Corr. colour temperature	4000 K
Init. colour rendering index	≥70
Initial chromaticity	(0.380, 0.390) SDCM <5
Initial input power	108 W
Power consumption tolerance	+/-11%

Over Time Performance (IEC Compliant)

Control gear failure rate at median useful life 100000 h	10 %
Lumen maintenance at median useful life* 100000 h	L94

Application Conditions

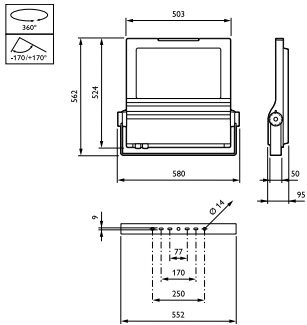
Ambient temperature range	-40 to +50 °C
Performance ambient temperature Tq	25 °C

Product Data

Full product code	871869909048700
Order product name	BVP650 LED180--4S/740 PSU OFA52 ALU
EAN/UPC – product	8718699090487
Order code	09048700
Numerator – quantity per pack	1
Numerator – packs per outer box	1
Material no. (12NC)	912300023526
Net weight (piece)	16.150 kg

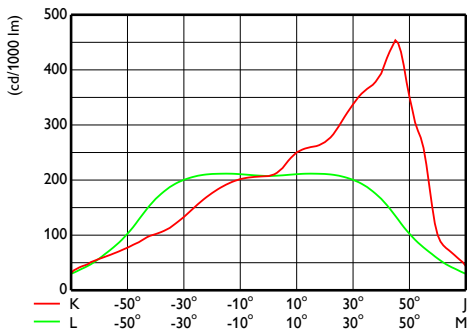
ClearFlood

Dimensional drawing

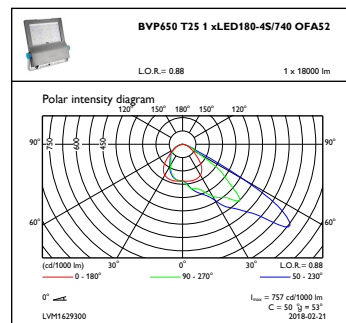


ClearFlood BVP650/651

Photometric data



OFCS1_BVP650T251xLED180-4S740OFA52



OFPC1_BVP650T251xLED180-4S740OFA52

