



# ClearFlood

## BVP650 LED120--4S/740 PSU DM10 ALU

ClearFlood - LED module 12000 lm - LED - Power supply unit - Distribution medium 10 - Aluminum

ClearFlood is a range of floodlights that lets you choose the exact number of lumens you need for your application. Designed around state-of-the-art LEDs and extremely high-efficiency optics, this very competitive solution offers an industry-leading lux per euro ratio and significant energy savings. The choice of different optics opens up new application possibilities for LEDs. ClearFlood is easy to install and perfect for replacing conventional light-points as it uses the same electrical installation and poles. Selecting the required light output is also straightforward.

### Product data

General Information			
Number of light sources	64 [ 64 pcs]	Glow-wire test	960/5 [ Temperature 960 °C, duration 5 s]
Lamp family code	LED120 [ LED module 12000 lm]	Flammability mark	F [ For mounting on normally flammable surfaces]
Lamp version	4S [ 4th generation, screw fixation]	CE mark	CE mark
Light source colour	740 neutral white	ENEC mark	ENEC mark
Light source replaceable	Yes	UL mark	-
Number of gear units	1 unit	Warranty period	5 years
Gear	EB [ Electronic]	Outdoor optic type	Distribution medium 10
Driver/power unit/transformer	PSU [ Power supply unit]	Remarks	*-Per Lighting Europe guidance paper "Evaluating performance of LED based luminaires - January 2018": statistically there is no relevant difference in lumen maintenance between B50 and for example B10. Therefore the median useful life (B50) value also represents the B10 value. * At extreme ambient temperatures the luminaire
Driver included	Yes		
Optical cover/lens type	FG [ Flat glass]		
Luminaire light beam spread	140° x 70°		
Control interface	-		
Connection	CU3 [ Connection unit 3-pole]		
Cable	-		
Protection class IEC	Safety class I (I)		

	might automatically dim down to protect components
Constant light output	No
Spare parts available	Yes
Number of products on MCB	8
Lifecycle services	Maintenance services
Photobiological risk	Risk group 1
Product recyclability	80%
RoHS mark	RoHS mark
WEEE mark	WEEE mark
LED engine type	LED
Product Family Code	BVP650 [ ClearFlood]

## Light Technical

Upward light output ratio	0
Initial luminous flux at 25°C	10483 lm
Standard tilt angle post-top	0°
Standard tilt angle side entry	0°

## Operating and Electrical

Input voltage	220-240 V
Input frequency	50 to 60 Hz
Control signal voltage	-
Inrush current	53 A
Inrush time	0.3 ms
Driver current	410 mA
Power factor (max.)	0.98
Power factor (min.)	0.95
Power factor (nom.)	0.9

## Controls and Dimming

Dimmable	No
----------	----

## Mechanical and Housing

Housing material	Aluminum die-cast
Reflector material	-
Optic material	Acrylate
Optical cover/lens material	Glass
Fixation material	Steel
Mounting device	MBA [ Mounting bracket adjustable]
Optical cover/lens shape	Flat
Optical cover/lens finish	Clear
Torque	35

Overall length	562 mm
Overall width	580 mm
Overall height	95 mm
Effective projected area	0.26 m <sup>2</sup>
Colour	Aluminum

## Approval and Application

Ingress protection code	IP66 [ Dust penetration-protected, jet-proof]
Mech. impact protection code	IK09 [ 10 J]

## Initial Performance (IEC Compliant)

Initial luminous flux	10560 lm
Luminous flux tolerance	+/-7%
Initial LED luminaire efficacy	151 lm/W
Init. Corr. colour temperature	4000 K
Init. colour rendering index	≥70
Initial chromaticity	(0.380, 0.390) SDCM <5
Initial input power	70 W
Power consumption tolerance	+/-11%

## Over Time Performance (IEC Compliant)

Control gear failure rate at median useful life 100000 h	10 %
Lumen maintenance at median useful life* 100000 h	L95

## Application Conditions

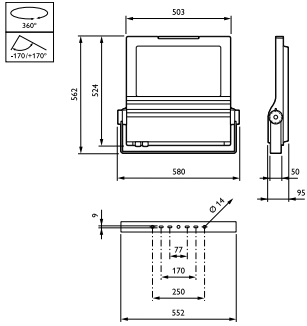
Ambient temperature range	-40 to +50 °C
Performance ambient temperature Tq	25 °C

## Product Data

Full product code	871869909105700
Order product name	BVP650 LED120--4S/740 PSU DM10 ALU
EAN/UPC – product	8718699091057
Order code	09105700
Numerator – quantity per pack	1
Numerator – packs per outer box	1
Material no. (12NC)	912300023583
Net weight (piece)	16.150 kg

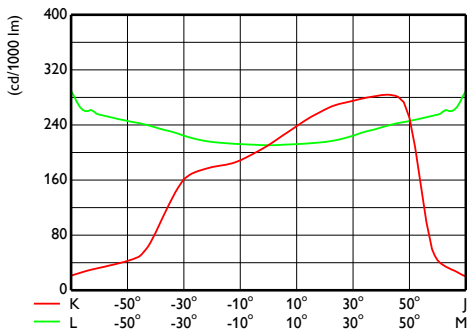
# ClearFlood

## Dimensional drawing

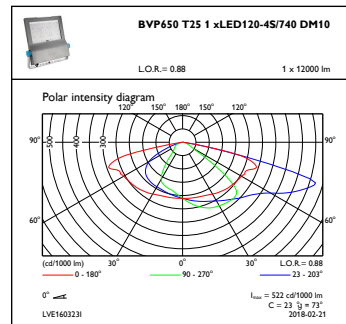


ClearFlood BVP650/651

## Photometric data



OFCS1\_BVP650T251xLED120-4S740DM10



OFPC1\_BVP650T251xLED120-4S740DM10

