



Jargeau 400 LED

BSP641 LED92-4S/740 PSU DM50 FG BK G3/4

Jargeau 400 LED - LED module 9200 lm - 4th generation, screw fixation - 740 neutral white - Safety class I (I) - Distribution medium 50 - Flat glass - Black - Suspension set simple, standard

Jargeau 400 LED combines the symbolic features of the first four-sided street lamps of the 19th century with the technical performance of 21st century luminaires. It incorporates the energy-efficient LEDGINE - O engine with high-performance optics, while at the same time retaining the character of the original four-sided fixture. Designed for installation at heights of 4-6 meters, this luminaire is well suited to urban landscapes and ideal for illuminating city centers, historical areas, old villages, streets, alleys, squares and parks. Jargeau 400 LED can also enable the benefits of the latest technologies developed by Philips Lighting, including the CityTouch connected lighting system.

Product data

| General Information | | | |
|-------------------------------|--|---------------------------|--|
| Lamp family code | LED92 [LED module 9200 lm] | Cable | - |
| Lamp version | 4S [4th generation, screw fixation] | Protection class IEC | Safety class I (I) |
| Light source colour | 740 neutral white | Flammability mark | NO [-] |
| Light source replaceable | Yes | CE mark | CE mark |
| Number of gear units | 1 unit | ENEC mark | ENEC mark |
| Driver/power unit/transformer | PSU [Power supply unit] | Warranty period | 5 years |
| Driver included | Yes | Outdoor optic type | Distribution medium 50 |
| Optical cover/lens type | FG [Flat glass] | Remarks | * At extreme ambient temperatures the luminaire might automatically dim down to protect components |
| Luminaire light beam spread | 30° - 5° x 153° | Constant light output | No |
| Connection | W [Plug-in connector 3-pole Wieland/Adels compatible] | Number of products on MCB | 11 |

Jargeau 400 LED

| | |
|---------------------|---------------------------|
| RoHS mark | RoHS mark |
| LED engine type | LED |
| Product Family Code | BGP641 [Jargeau 400 LED] |

Light Technical

| | |
|--------------------------------|------|
| Upward light output ratio | 0.03 |
| Standard tilt angle post-top | 0° |
| Standard tilt angle side entry | - |

Operating and Electrical

| | |
|---------------------|-------------|
| Input voltage | 220-240 V |
| Input frequency | 50 or 60 Hz |
| Inrush current | 46 A |
| Inrush time | 250 ms |
| Power factor (min.) | 0.9 |

Controls and Dimming

| | |
|----------|----|
| Dimmable | No |
|----------|----|

Mechanical and Housing

| | |
|-----------------------------|--|
| Housing material | Aluminum |
| Reflector material | - |
| Optic material | Polymethyl methacrylate |
| Optical cover/lens material | Glass |
| Fixation material | Aluminum |
| Mounting device | SMS [Suspension set simple, standard] |
| Optical cover/lens shape | Flat |
| Optical cover/lens finish | Clear |
| Overall length | 400 mm |
| Overall width | 400 mm |
| Overall height | 840 mm |
| Effective projected area | 0.13 m ² |

| | |
|--------|-------|
| Colour | Black |
|--------|-------|

Approval and Application

| | |
|--|---|
| Ingress protection code | IP66 [Dust penetration-protected, jet-proof] |
| Mech. impact protection code | IK09 [10 J] |
| Surge protection (common/differential) | 4/4 kV |

Initial Performance (IEC Compliant)

| | |
|--------------------------------|------------------------|
| Initial luminous flux | 7178 lm |
| Luminous flux tolerance | +/-7% |
| Initial LED luminaire efficacy | 114 lm/W |
| Init. Corr. colour temperature | 4000 K |
| Init. colour rendering index | ≥70 |
| Initial chromaticity | (0.381, 0.379) SDCM <5 |
| Initial input power | 63 W |
| Power consumption tolerance | +/-11% |

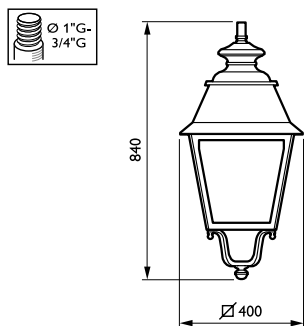
Application Conditions

| | |
|---------------------------|---------------|
| Ambient temperature range | -40 to +50 °C |
|---------------------------|---------------|

Product Data

| | |
|---------------------------------|---|
| Full product code | 871869910888500 |
| Order product name | BSP641 LED92-4S/740 PSU DM50 FG BK G3/4 |
| EAN/UPC – product | 8718699108885 |
| Order code | 10888500 |
| Numerator – quantity per pack | 1 |
| Numerator – packs per outer box | 1 |
| Material no. (12NC) | 912300023774 |
| Net weight (piece) | 13.158 kg |

Dimensional drawing



Jargeau 400 LED BPP641/BSP641

Jargeau 400 LED

