



OptiVision LED gen2

BVP525 1800/740 230V BV DX50 D9 T25 100

OptiVision LED gen2 - LED High Brightness - 740 neutral white - 230 V - Asymmetrical wide beam

The Philips OptiVision LED gen2 floodlighting system provides a complete lighting solution for the simplest through to the most complex area and recreational sports lighting applications. The high-efficiency floodlights come with three or two LED light modules, which function with an external driver box – separate for use at a distance from the floodlight (BV), or pre-fixed onto the mounting bracket of the floodlight (HGB) for ease of installation and lower initial cost. They meet the highest performance standards, provide outstanding light quality, and ensure safety and visual comfort. OptiVision LED gen2 offers new possibilities to reduce energy consumption and increase flexibility (instant start, programmable lighting levels) when used in conjunction with Philips’ advanced system controls and sensors. The floodlights are also compatible with other external control systems via DALI protocol.

Product data

General Information			
Lamp family code	LED-HB [LED High Brightness]	Cable	-
Light source color	740 neutral white	Protection class IEC	Safety class I
Light source replaceable	Yes	Flammability mark	-
Number of gear units	1 unit	CE mark	CE mark
Driver/power unit/transformer	Power supply unit with DALI interface external	ENEC mark	ENEC mark
Driver included	Yes	Warranty period	5 years
Optical cover/lens type	Polycarbonate bowl/cover	Optic type outdoor	Asymmetrical wide beam
Luminaire light beam spread	90° x 136°	Remarks	*-Per Lighting Europe guidance paper "Evaluating performance of LED based luminaires - January 2018": statistically there is no relevant difference in lumen maintenance between B50 and for example
Control interface	DALI		
Connection	Push-in connector and pull relief		

OptiVision LED gen2

	B10. Therefore the median useful life (B50) value also represents the B10 value. * At extreme ambient temperatures the luminaire might automatically dim down to protect components
Constant light output	No
Number of products on MCB of 16 A type - B	
RoHS mark	RoHS mark
Light source engine type	LED
Serviceability class	Class A, luminaire is equipped with serviceable parts (when applicable): LED board, driver, control units, surge protection device, optics, front cover and mechanical parts
Product family code	BVP525 [OptiVision LED gen2]

Light Technical

Upward light output ratio	0
Standard tilt angle posttop	-
Standard tilt angle side entry	-

Operating and Electrical

Input Voltage	230 V
Input Frequency	50 Hz
Inrush current	30 A
Inrush time	16 ms
Power Factor (Min)	0.95

Controls and Dimming

Dimmable	Yes
----------	-----

Mechanical and Housing

Housing Material	Aluminum
Reflector material	Polycarbonate
Optic material	Polycarbonate
Optical cover/lens material	Polycarbonate
Fixation material	Aluminum
Mounting device	Mounting bracket adjustable
Optical cover/lens shape	Flat
Optical cover/lens finish	Clear
Overall length	750 mm
Overall width	616 mm

Overall height	450 mm
Effective projected area	0.23 m ²
Color	Aluminum

Approval and Application

Ingress protection code	IP66 [Dust penetration-protected, jet-proof]
Mech. impact protection code	IK08 [5 J vandal-protected]
Surge Protection (Common/Differential)	Luminaire surge protection level until 6 kV differential mode and 10 kV common mode

Initial Performance (IEC Compliant)

Initial luminous flux (system flux)	180000 lm
Luminous flux tolerance	+/-7%
Initial LED luminaire efficacy	109 lm/W
Init. Corr. Color Temperature	4000 K
Init. Color Rendering Index	≥70
Initial chromaticity	(0.367, 0.358) SDCM <5
Initial input power	1314 W
Power consumption tolerance	+/-10%

Over Time Performance (IEC Compliant)

Control gear failure rate at median useful life 100000 h	10 %
Lumen maintenance at median useful life* 100000 h	L80

Application Conditions

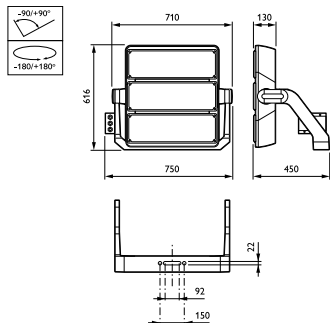
Ambient temperature range	-40 to +50 °C
Performance ambient temperature Tq	25 °C
Maximum dim level	10%

Product Data

Full product code	871869911611800
Order product name	BVP525 1800/740 230V BV DX50 D9 T25 100
EAN/UPC - Product	8718699116118
Order code	912300023824
Numerator - Quantity Per Pack	1
Numerator - Packs per outer box	1
Material Nr. (12NC)	912300023824
Net Weight (Piece)	34.000 kg

OptiVision LED gen2

Dimensional drawing



OptiVision LED BVP500/515/520/525

