



Harmony 1&2 LED

BGP660 LED84-4S/740 PSD II DM50 FG GR D9

Harmony 1 LED - LED module 8400 lm - 740 neutral white - Safety class II - Distribution medium 50 - Flat glass - Dimming via external communication DALI - Suspension set simple, standard

Harmony LED is based on a clean shape, a modular construction and complementary optical systems. It can be adapted to all styles of setting and types of application. Available in two sizes and designed for heights from 4 to 10 metres, the luminaire can be combined with several brackets and wall-mounted solutions, allowing you to compose varied, yet consistent installations. Harmony LED is the overall lighting solution for classic and contemporary urban settings, delivering outstanding levels of lighting and energy performance thanks to its LED engine and its application-tailored optics. Harmony LED is also equipped with dedicated light recipe that preserves a dark night sky.

Product data

General Information		Connection	
Lamp family code	LED84 [LED module 8400 lm]		Plug-in connector 4-pole Wieland/Adels compatible
Lamp version	4S [4th generation, screw fixation]	Cable	-
Light source colour	740 neutral white	Protection class IEC	Safety class II
Light source replaceable	Yes	Flammability mark	NO [-]
Number of gear units	1 unit	CE mark	CE mark
Driver/power unit/transformer	PSD [Power supply unit with DALI interface]	ENEC mark	-
Driver included	Yes	Warranty period	5 years
Optical cover/lens type	FG [Flat glass]	Outdoor optic type	Distribution medium 50
Luminaire light beam spread	30° - 5° x 153°	Remarks	*-Per Lighting Europe guidance paper "Evaluating performance of LED based luminaires - January 2018": statistically there is
Control interface	DALI		
Light regulation	Dimming via external communication DALI		

Harmony 1&2 LED

	no relevant difference in lumen maintenance between B50 and for example B10. Therefore the median useful life (B50) value also represents the B10 value. * At extreme ambient temperatures the luminaire might automatically dim down to protect components
Constant light output	No
Number of products on MCB	11
RoHS mark	RoHS mark
LED engine type	LED
Product Family Code	BGP660 [Harmony 1 LED]

Light Technical

Upward light output ratio	0.03
Standard tilt angle post-top	0°
Standard tilt angle side entry	0°

Operating and Electrical

Input voltage	220 to 240 V
Input frequency	50 to 60 Hz
Inrush current	22 A
Inrush time	0.29 ms
Power factor (min.)	0.8

Controls and Dimming

Dimmable	Yes
----------	-----

Mechanical and Housing

Housing material	Aluminium
Reflector material	Glass
Optic material	Polymethyl methacrylate
Optical cover/lens material	Glass
Fixation material	Aluminum
Mounting device	SMS [Suspension set simple, standard]
Optical cover/lens shape	Flat
Optical cover/lens finish	Clear
Fixation diameter	Mounting device diameter 1"
Overall length	536 mm
Overall width	536 mm
Overall height	224 mm
Overall diameter	536 mm

Effective projected area	0.021 m ²
Colour	Grey

Approval and Application

Ingress protection code	IP66 [Dust penetration-protected, jet-proof]
Mech. impact protection code	IK09 [10 J]
Surge protection (common/differential)	Philips standard surge protection level kV

Initial Performance (IEC Compliant)

Initial luminous flux	7392 lm
Luminous flux tolerance	+/-7%
Initial LED luminaire efficacy	148 lm/W
Init. Corr. colour temperature	4000 K
Init. colour rendering index	≥70
Initial chromaticity	(0.380, 0.390) SDCM <5
Initial input power	50 W
Power consumption tolerance	+/-11%

Over Time Performance (IEC Compliant)

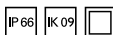
Control gear failure rate at median useful life 100000 h	10 %
Lumen maintenance at median useful life* 100000 h	L91

Application Conditions

Ambient temperature range	-40 to +50 °C
Performance ambient temperature Tq	25 °C
Maximum dimming level	10%

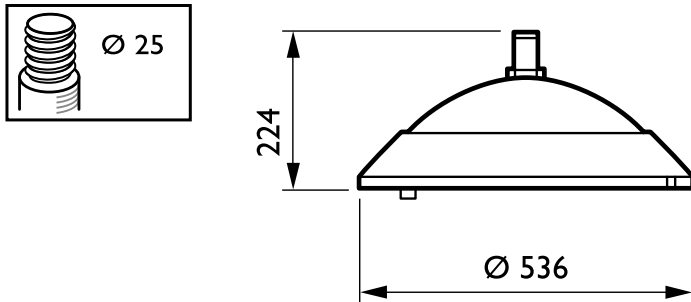
Product Data

Full product code	871869945024300
Order product name	BGP660 LED84-4S/740 PSD II DM50 FG GR D9
EAN/UPC – product	8718699450243
Order code	45024300
Numerator – quantity per pack	1
Numerator – packs per outer box	1
Material no. (12NC)	912300023972
Net weight (piece)	10.165 kg



Harmony 1&2 LED

Dimensional drawing



Harmony 1/2 LED BGP660/BGP661

