



UrbanStar

BDS100 LED22/740 I DM50 DGR CLO C5K

UrbanStar - LED module 2200 lm - 740 neutral white - Safety class I - Distribution medium 50 - Dark Grey - Constant light output - Cable 5.0 m without plug (C5K)

In residential areas, the familiar conical luminaires equipped with PL-L or HPL lamps can now be replaced by a charming design luminaire incorporating leading-edge LED technology – without losing any of the visual balance and ambiance provided by the former solution. UrbanStar is a highly efficient LED luminaire, which enables a significant reduction in energy consumption compared to PL-L solutions. It has been specially designed for residential applications, and its translucent cone delivers very comfortable light.

Product data

General Information		CE mark	CE mark
Lamp family code	LED22 [LED module 2200 lm]	ENEC mark	ENEC mark
Light source colour	740 neutral white	Warranty period	5 years
Light source replaceable	Yes	Outdoor optic type	Distribution medium 50
Number of gear units	1 unit	Remarks	*-Per Lighting Europe guidance paper "Evaluating performance of LED based luminaires - January 2018": statistically there is no relevant difference in lumen maintenance between B50 and for example B10. Therefore the median useful life (B50) value also represents the B10 value. * At extreme ambient temperatures the luminaire might automatically dim down to protect components
Driver/power unit/transformer	PSU [Power supply unit]	Constant light output	Yes
Driver included	Yes		
Optical cover/lens type	PC [Polycarbonate bowl/cover]		
Luminaire light beam spread	30° - 5° x 153°		
Embedded control	CLO [Constant light output]		
Connection	Plug-in connector 2-pole Wieland/Adels compatible		
Cable	Cable 5.0 m without plug (C5K)		
Protection class IEC	Safety class I		
Flammability mark	NO [-]		

Number of products on MCB	29
RoHS mark	RoHS mark
LED engine type	LED
Product Family Code	BDS100 [UrbanStar]

Light Technical

Upward light output ratio	0.03
Standard tilt angle post-top	0°
Standard tilt angle side entry	-

Operating and Electrical

Input voltage	220 to 240 V
Input frequency	50 to 60 Hz
Initial CLO power consumption	14.5 W
Average CLO power consumption	15 W
End CLO power consumption	15.3 W
Inrush current	15 A
Inrush time	0.36 ms
Power factor (min.)	0.8

Controls and Dimming

Dimmable	No
----------	----

Mechanical and Housing

Housing material	Polycarbonate
Reflector material	Glass
Optic material	Polycarbonate
Optical cover/lens material	Polycarbonate
Fixation material	Aluminum
Mounting device	Pole-mounting bracket diameter 76 mm
Optical cover/lens shape	Conical
Optical cover/lens finish	Frosted
Overall length	403 mm
Overall width	350 mm
Overall height	914 mm
Overall diameter	76 mm
Effective projected area	0.155 m ²
Colour	Dark Grey

Approval and Application

Ingress protection code	IP66 [Dust penetration-protected, jet-proof]
Mech. impact protection code	IK06 [1 J]

Initial Performance (IEC Compliant)

Initial luminous flux	1936 lm
Luminous flux tolerance	+/-7%
Initial LED luminaire efficacy	134 lm/W
Init. Corr. colour temperature	4000 K
Init. colour rendering index	≥70
Initial chromaticity	(0.380, 0.390) SDCM <5
Initial input power	14.4 W
Power consumption tolerance	+/-7%

Over Time Performance (IEC Compliant)

Control gear failure rate at median useful life 100000 h	10 %
Lumen maintenance at median useful life* 100000 h	L100

Application Conditions

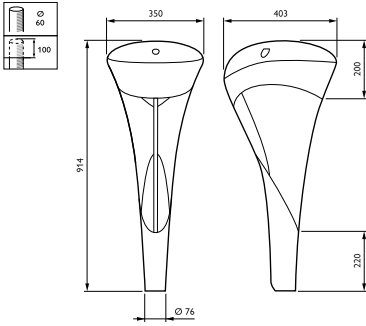
Ambient temperature range	-40 to +50 °C
Performance ambient temperature Tq	25 °C

Product Data

Full product code	871869945040300
Order product name	BDS100 LED22/740 I DM50 DGR CLO C5K
EAN/UPC – product	8718699450403
Order code	45040300
Numerator – quantity per pack	1
Numerator – packs per outer box	1
Material no. (12NC)	912300023988
Net weight (piece)	9.059 kg

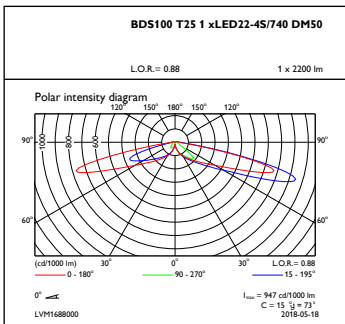


Dimensional drawing

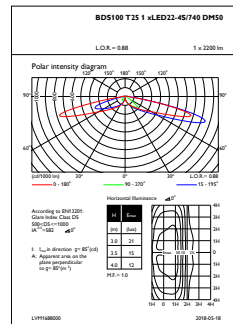


UrbanStar BDS100

Photometric data



OFPC1_BDS100T251xLED22-4S740DM50



OFPL1_BDS100T251xLED22-4S740DM50

