



UrbanStar

BDS100 LED14/740 I DS50 DGR CLO-LS-8 50%

UrbanStar - LED module 1400 lm - 740 neutral white - Safety class I - Distribution symmetrical 50 - Dark Grey - Constant light output and LumiStep dimming 8 hours - -

In residential areas, the familiar conical luminaires equipped with PL-L or HPL lamps can now be replaced by a charming design luminaire incorporating leading-edge LED technology – without losing any of the visual balance and ambiance provided by the former solution. UrbanStar is a highly efficient LED luminaire, which enables a significant reduction in energy consumption compared to PL-L solutions. It has been specially designed for residential applications, and its translucent cone delivers very comfortable light.

Product data

General Information		Cable	-
Lamp family code	LED14 [LED module 1400 lm]	Protection class IEC	Safety class I
Light source colour	740 neutral white	Flammability mark	NO [-]
Light source replaceable	Yes	CE mark	CE mark
Number of gear units	1 unit	ENEC mark	ENEC mark
Driver/power unit/transformer	PSR-E [Power supply unit regulating external (PSR)]	Warranty period	5 years
Driver included	Yes	Outdoor optic type	Distribution symmetrical 50
Optical cover/lens type	PC [Polycarbonate bowl/cover]	Remarks	*-Per Lighting Europe guidance paper "Evaluating performance of LED based luminaires - January 2018": statistically there is no relevant difference in lumen maintenance between B50 and for example B10. Therefore the median useful life (B50) value also represents the B10 value. * At extreme ambient temperatures the luminaire might
Luminaire light beam spread	152° x 155°		
Embedded control	CLO-LS-8 [Constant light output and LumiStep dimming 8 hours]		
Control interface	Analog		
Connection	Plug-in connector 2-pole Wieland/Adels compatible		

	automatically dim down to protect components
Constant light output	Yes
Number of products on MCB	29
RoHS mark	RoHS mark
LED engine type	LED
Product Family Code	BDS100 [UrbanStar]

Light Technical

Upward light output ratio	0.03
Standard tilt angle post-top	0°
Standard tilt angle side entry	-

Operating and Electrical

Input voltage	220 to 240 V
Input frequency	50 to 60 Hz
Initial CLO power consumption	9.7 W
Average CLO power consumption	1.9 W
End CLO power consumption	10.1 W
Inrush current	22 A
Inrush time	0.29 ms
Power factor (min.)	0.8

Controls and Dimming

Dimmable	Yes
----------	-----

Mechanical and Housing

Housing material	Polycarbonate
Reflector material	Glass
Optic material	Polycarbonate
Optical cover/lens material	Polycarbonate
Fixation material	Aluminum
Mounting device	Pole-mounting bracket diameter 76 mm
Optical cover/lens shape	Conical
Optical cover/lens finish	Frosted
Overall length	403 mm
Overall width	350 mm
Overall height	914 mm
Overall diameter	76 mm
Effective projected area	0.155 m ²

Colour	Dark Grey
--------	-----------

Approval and Application

Ingress protection code	IP66 [Dust penetration-protected, jet-proof]
Mech. impact protection code	IK06 [1 J]

Initial Performance (IEC Compliant)

Initial luminous flux	1232 lm
Luminous flux tolerance	+/-7%
Initial LED luminaire efficacy	132 lm/W
Init. Corr. colour temperature	4000 K
Init. colour rendering index	≥70
Initial chromaticity	(0.380, 0.390) SDCM <5
Initial input power	9.3 W
Power consumption tolerance	+/-7%

Over Time Performance (IEC Compliant)

Control gear failure rate at median useful life 100000 h	10 %
Lumen maintenance at median useful life* 100000 h	L100

Application Conditions

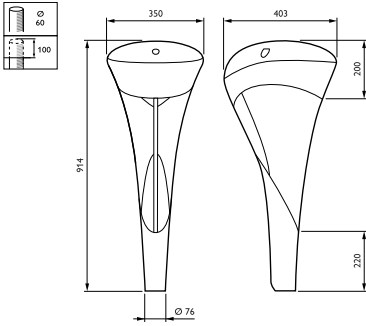
Ambient temperature range	-40 to +50 °C
Performance ambient temperature Tq	25 °C
Maximum dimming level	20%

Product Data

Full product code	871869945042700
Order product name	BDS100 LED14/740 I DS50 DGR CLO-LS-8 50%
EAN/UPC – product	8718699450427
Order code	45042700
Numerator – quantity per pack	1
Numerator – packs per outer box	1
Material no. (12NC)	912300023990
Net weight (piece)	9.059 kg

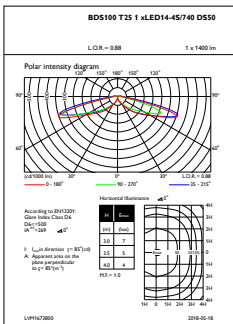


Dimensional drawing

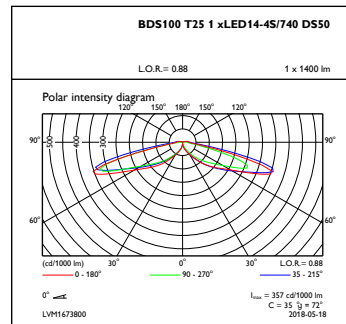


UrbanStar BDS100

Photometric data



OFPL1_BDS100T251xLED14-4S740DS50



OFPC1_BDS100T251xLED14-4S740DS50

