



UrbanStar

BDS100 LED43/740 I DW50 DGR D9 C1K

UrbanStar - LED module 4300 lm - 740 neutral white - Safety class I - Distribution wide 50 - Dark Grey - Cable 1.0 m with plug Wieland/Adels compatible 2-pole

In residential areas, the familiar conical luminaires equipped with PL-L or HPL lamps can now be replaced by a charming design luminaire incorporating leading-edge LED technology – without losing any of the visual balance and ambiance provided by the former solution. UrbanStar is a highly efficient LED luminaire, which enables a significant reduction in energy consumption compared to PL-L solutions. It has been specially designed for residential applications, and its translucent cone delivers very comfortable light.

Product data

General Information		ENEC mark	ENEC mark
Lamp family code	LED43 [LED module 4300 lm]	Warranty period	5 years
Light source colour	740 neutral white	Outdoor optic type	Distribution wide 50
Light source replaceable	Yes	Remarks	*-Per Lighting Europe guidance paper "Evaluating performance of LED based luminaires - January 2018": statistically there is no relevant difference in lumen maintenance between B50 and for example B10. Therefore the median useful life (B50) value also represents the B10 value. * At extreme ambient temperatures the luminaire might automatically dim down to protect components
Number of gear units	1 unit	Constant light output	No
Driver/power unit/transformer	PSD [Power supply unit with DALI interface]	Number of products on MCB	20
Driver included	Yes		
Optical cover/lens type	PC [Polycarbonate bowl/cover]		
Luminaire light beam spread	23° - 8° x 152°		
Control interface	DALI		
Cable	Cable 1.0 m with plug Wieland/Adels compatible 2-pole		
Protection class IEC	Safety class I		
Flammability mark	NO [-]		
CE mark	CE mark		

RoHS mark	RoHS mark
LED engine type	LED
Product Family Code	BDS100 [UrbanStar]

Light Technical

Upward light output ratio	0.03
Standard tilt angle post-top	0°
Standard tilt angle side entry	-

Operating and Electrical

Input voltage	220 to 240 V
Input frequency	50 to 60 Hz
Inrush current	22 A
Inrush time	0.29 ms
Power factor (min.)	0.8

Controls and Dimming

Dimmable	Yes
----------	-----

Mechanical and Housing

Housing material	Polycarbonate
Reflector material	Glass
Optic material	Polycarbonate
Optical cover/lens material	Polycarbonate
Fixation material	Aluminum
Mounting device	Pole-mounting bracket diameter 76 mm
Optical cover/lens shape	Conical
Optical cover/lens finish	Frosted
Overall length	403 mm
Overall width	350 mm
Overall height	914 mm
Overall diameter	76 mm
Effective projected area	0.155 m ²
Colour	Dark Grey

Approval and Application

Ingress protection code	IP66 [Dust penetration-protected, jet-proof]
-------------------------	---

Mech. impact protection code	IK06 [1 J]
------------------------------	-------------

Initial Performance (IEC Compliant)

Initial luminous flux	3741 lm
Luminous flux tolerance	+/-7%
Initial LED luminaire efficacy	139 lm/W
Init. Corr. colour temperature	4000 K
Init. colour rendering index	≥70
Initial chromaticity	(0.380, 0.390) SDCM <5
Initial input power	27 W
Power consumption tolerance	+/-7%

Over Time Performance (IEC Compliant)

Control gear failure rate at median useful life 100000 h	10 %
Lumen maintenance at median useful life* 100000 h	L92

Application Conditions

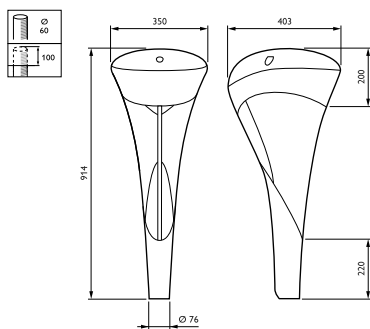
Ambient temperature range	-40 to +50 °C
Performance ambient temperature Tq	25 °C
Maximum dimming level	20%

Product Data

Full product code	871869945043400
Order product name	BDS100 LED43/740 I DW50 DGR D9 C1K
EAN/UPC – product	8718699450434
Order code	45043400
Numerator – quantity per pack	1
Numerator – packs per outer box	1
Material no. (12NC)	912300023991
Net weight (piece)	9.059 kg

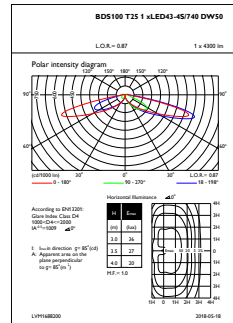
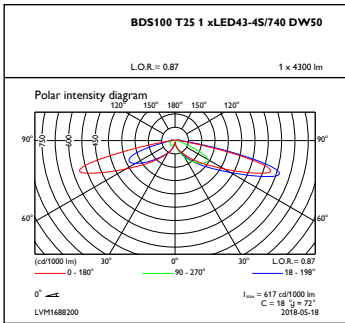


Dimensional drawing



UrbanStar BDS100

Photometric data



OFPC1_BDS100T251xLED43-4S740DW50

OFPL1_BDS100T251xLED43-4S740DW50

