



ClearFlood

BVP650 LED380-4S/740 DX60 ALU PSU

ClearFlood - LED module 38000 lm - LED - Power supply unit - Grey

The Philips ClearFlood is a dedicated LED floodlight delivering economical white light solutions for recreational sports and area applications. Designed around state-of-the-art LEDs and high-efficiency optics, this very competitive solution offers energy savings compared to traditional HID solutions. ClearFlood is easy to install and perfect for replacing conventional light points as it uses the same electrical installation, columns and types of fixation.

Product data

General Information		Remarks	
Lamp family code	LED380 [LED module 38000 lm]	*-Per Lighting Europe guidance paper "Evaluating performance of LED based luminaires - January 2018": statistically there is no relevant difference in lumen maintenance between B50 and for example B10. Therefore the median useful life (B50) value also represents the B10 value. * At extreme ambient temperatures the luminaire might automatically dim down to protect components	
Light source colour	740 neutral white		
Light source replaceable	Yes		
Number of gear units	2 units		
Driver/power unit/transformer	PSU [Power supply unit]		
Driver included	Yes		
Optical cover/lens type	FG [Flat glass]		
Luminaire light beam spread	8° - 26° x 82°		
Connection	Connection unit 3-pole		
Cable	-		
Protection class IEC	Safety class I	Constant light output	No
Flammability mark	F [For mounting on normally flammable surfaces]	Number of products on MCB	4
CE mark	CE mark	RoHS mark	RoHS mark
ENEC mark	ENEC mark	LED engine type	LED
Warranty period	5 years	Product Family Code	BVP650 [ClearFlood]
		Light Technical	
		Upward light output ratio	0

ClearFlood

Standard tilt angle post-top	0°
Standard tilt angle side entry	0°

Operating and Electrical

Input voltage	220-240 V
Input frequency	50 to 60 Hz
Inrush current	53 A
Inrush time	0.3 ms
Power factor (min.)	0.97

Controls and Dimming

Dimmable	No
----------	----

Mechanical and Housing

Housing material	Aluminium die-cast
Reflector material	-
Optic material	Acrylate
Optical cover/lens material	Glass
Fixation material	Steel
Mounting device	MBA [Mounting bracket adjustable]
Optical cover/lens shape	Flat
Optical cover/lens finish	Clear
Overall length	562 mm
Overall width	580 mm
Overall height	95 mm
Effective projected area	0.26 m ²
Colour	Grey

Approval and Application

Ingress protection code	IP66 [Dust penetration-protected, jet-proof]
Mech. impact protection code	IK09 [10 J]

Initial Performance (IEC Compliant)

Initial luminous flux	34200 lm
Luminous flux tolerance	+/-7%
Initial LED luminaire efficacy	146 lm/W
Init. Corr. colour temperature	4000 K
Init. colour rendering index	≥70
Initial chromaticity	(0.380, 0.390) SDCM <5
Initial input power	235 W
Power consumption tolerance	+/-11%

Over Time Performance (IEC Compliant)

Control gear failure rate at median useful life 100000 h	10 %
Lumen maintenance at median useful life* 100000 h	L88

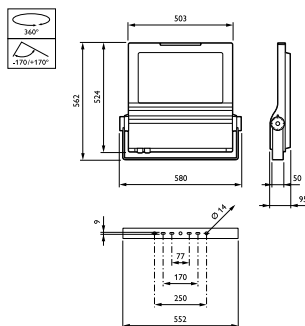
Application Conditions

Ambient temperature range	-40 to +50 °C
Performance ambient temperature Tq	25 °C

Product Data

Full product code	871869945111000
Order product name	BVP650 LED380-4S/740 DX60 ALU PSU
EAN/UPC – product	8718699451110
Order code	45111000
Numerator – quantity per pack	1
Numerator – packs per outer box	1
Material no. (12NC)	912300023995
Net weight (piece)	16.150 kg

Dimensional drawing



ClearFlood BVP650/651

