



TubePoint gen2

BGP235 LED240-4S/740 DSM11 D9 MIO-CIO MB

TubePoint GEN2 Small - LED module 24000 lm - 740 neutral white - Power supply unit with DALI interface - Safety class I - Symmetrical - Black - -

Many tunnel authorities have an outdated tunnel-lighting installation that urgently needs to be replaced, but have only limited budget available. We are able to fulfil their requirements. TubePoint GEN2 is the result of years of experience in tunnel lighting combined with the latest technologies developed by Philips. With its modular design and modern LED architecture, TubePoint GEN2 is a versatile, cost-effective luminaire that meets the most stringent tunnel-lighting requirements. It is made of highest-quality components that are dedicated for tunnels, thus ensuring a long lifetime, good performance and low maintenance costs. The efficiency and wide choice of optics means that the number of luminaires can be reduced significantly compared with a conventional solution. And a high lumen per watt ratio at system level improves the total cost of ownership. TubePoint GEN2 is part of Philips' TotalTunnel solution for a complete tunnel lighting.

Product data

General Information			
Lamp family code	LED240 [LED module 24000 lm]	Connection	-
Light source colour	740 neutral white	Cable	-
Light source replaceable	Yes	Protection class IEC	Safety class I
Number of gear units	1 unit	Flammability mark	F [For mounting on normally flammable surfaces]
Driver/power unit/transformer	PSD [Power supply unit with DALI interface]	CE mark	CE mark
Driver included	Yes	ENEC mark	ENEC mark
Optical cover/lens type	FG [Flat glass]	Warranty period	5 years
Luminaire light beam spread	101° x 158°	Outdoor optic type	Symmetrical
Control interface	DALI	Constant light output	No
		Number of products on MCB	8

TubePoint gen2

RoHS mark	RoHS mark
LED engine type	LED
Product Family Code	BGP235 [TubePoint GEN2 Small]

Light Technical

Upward light output ratio	0
Standard tilt angle post-top	-
Standard tilt angle side entry	0°

Operating and Electrical

Input voltage	220-240 V
Input frequency	50 to 60 Hz
Inrush current	99 A
Inrush time	0.34 ms
Power factor (min.)	0.99

Controls and Dimming

Dimmable	Yes
----------	-----

Mechanical and Housing

Housing material	Aluminium die-cast
Reflector material	-
Optic material	Polycarbonate
Optical cover/lens material	Glass
Fixation material	Stainless steel
Optical cover/lens shape	Flat
Optical cover/lens finish	Clear
Overall length	363.5 mm
Overall width	485.5 mm
Overall height	89.5 mm
Effective projected area	0.18 m ²
Colour	Black

Approval and Application

Ingress protection code	IP66 [Dust penetration-protected, jet-proof]
Mech. impact protection code	IK09 [10 J]

Initial Performance (IEC Compliant)

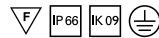
Initial luminous flux	19708 lm
Luminous flux tolerance	+/-7%
Initial LED luminaire efficacy	171 lm/W
Init. Corr. colour temperature	4000 K
Init. colour rendering index	>70
Initial chromaticity	(0.3818, 0.3796) SDCM<3
Initial input power	149 W
Power consumption tolerance	+/-11%

Application Conditions

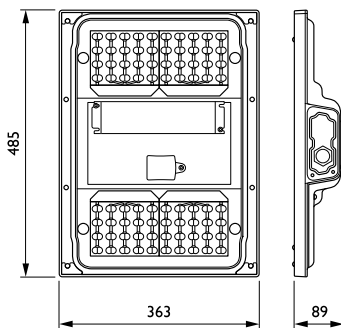
Ambient temperature range	-30 to +50 °C
Maximum dimming level	10%

Product Data

Full product code	871869948295400
Order product name	BGP235 LED240-4S/740 DSM11 D9 MIO-CIO MB
EAN/UPC – product	8718699482954
Order code	48295400
Numerator – quantity per pack	1
Numerator – packs per outer box	1
Material no. (12NC)	912300024113
Net weight (piece)	6.650 kg



Dimensional drawing



TubePoint gen2 BGP235-BGP237

TubePoint gen2

