



TownTune Central Post-Top DTC

BDP262 LED24-4S/740 II DM33 CLO SRTB 62P

TOWNTUNE CENTRAL POST-TOP DTC - LED Module 2400 lm - LED - 740 neutral white - 220 to 240 V - 50 to 60 Hz - Safety class II - Distribution medium 33 - Polycarbonate bowl/cover UV-resistant - Dark Grey - Philips standard surge protection level kV - - - Post-top for diameter 62 mm

As a luminaire family prepared for existing and scalable urban spaces, TownTune offers all the recent lighting innovations in terms of performance, quality of light and connectivity. The Philips TownTune family consists of three members: a central post top, an asymmetric spigot version and a version using an extending lyre post-top bracket. Each of these three can be customised with a choice of different shapes for housing and an optional decorative ring which comes in two colours. By having these options available, you can create your very own lighting signature and give a distinctive identity to districts and cities. The luminaire family is also equipped with the QR code-based Philips Service tag, which supports installation and maintenance work and enables you to create a digital library of lighting assets and spare parts. TownTune also makes use of the Philips Ledgine optimised lighting platform, ensuring that you always have the right amount and direction of light on your street. Furthermore, thanks to being SR (System-Ready), TownTune is also future-proof and is ready to be paired with both standalone and advanced control and lighting software applications, such as Interact City.

Product data

General Information		Light source colour	740 neutral white
Lamp family code	LED24 [LED Module 2400 lm]	Light source replaceable	Yes

TownTune Central Post-Top DTC

Number of gear units	1 unit
Driver/power unit/transformer	Power supply unit with DALI and SystemReady interface
Driver included	Yes
Optical cover/lens type	PC-UV [Polycarbonate bowl/cover UV-resistant]
Luminaire light beam spread	4° - 57° × 149°
Control interface	DALI
Connection	Internal connector
Cable	-
Protection class IEC	Safety class II
Flammability mark	F [For mounting on normally flammable surfaces]
CE mark	CE mark
ENEC mark	ENEC mark
Warranty period	5 years
Outdoor optic type	Distribution medium 33
Remarks	* At extreme ambient temperatures the luminaire might automatically dim down to protect components
Constant light output	Yes
Number of products on MCB	20
RoHS mark	RoHS mark
LED engine type	LED
Product Family Code	BDP262 [TOWNTUNE CENTRAL POST-TOP DTC]

Light Technical

Upward light output ratio	0
Standard tilt angle post-top	0°
Standard tilt angle side entry	-

Operating and Electrical

Input voltage	220 to 240 V
Input frequency	50 to 60 Hz
Initial CLO power consumption	15 W
Average CLO power consumption	15 W
End CLO power consumption	15 W
Inrush current	22 A
Inrush time	0.290 ms
Power factor (min.)	0.94

Controls and Dimming

Dimmable	Yes
----------	-----

Mechanical and Housing

Housing material	Aluminium die-cast
Reflector material	Acrylate
Optic material	Polymethyl methacrylate

Optical cover/lens material	Polymethyl methacrylate
Fixation material	Aluminum
Mounting device	62P [Post-top for diameter 62 mm]
Optical cover/lens shape	Convex lens
Optical cover/lens finish	Clear
Overall height	365 mm
Overall diameter	477 mm
Effective projected area	0.11 m ²
Colour	Dark Grey

Approval and Application

Ingress protection code	IP66 [Dust penetration-protected, jet-proof]
Mech. impact protection code	IK10 [20 J vandal-resistant]
Surge protection (common/differential)	Philips standard surge protection level kV

Initial Performance (IEC Compliant)

Initial luminous flux	1702 lm
Luminous flux tolerance	+/-7%
Initial LED luminaire efficacy	113 lm/W
Init. Corr. colour temperature	4000 K
Init. colour rendering index	>70
Initial chromaticity	(0.381, 0.379) SDCM <5
Initial input power	15 W
Power consumption tolerance	+/-11%

Over Time Performance (IEC Compliant)

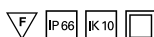
Control gear failure rate at median useful life 100000 h	10 %
Lumen maintenance at median useful life* 100000 h	L100

Application Conditions

Ambient temperature range	-40 to +50 °C
Performance ambient temperature Tq	25 °C
Maximum dimming level	10%

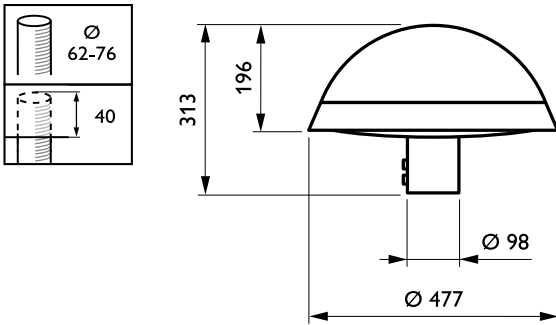
Product Data

Full product code	871869949030000
Order product name	BDP262 LED24-4S/740 II DM33 CLO SRTB 62P
EAN/UPC – product	8718699490300
Order code	49030000
Numerator – quantity per pack	1
Numerator – packs per outer box	1
Material no. (12NC)	912300024161
Net weight (piece)	7.800 kg



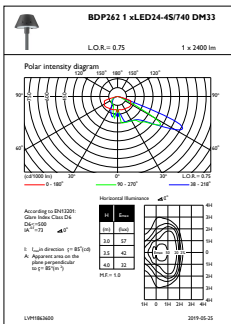
TownTune Central Post-Top DTC

Dimensional drawing

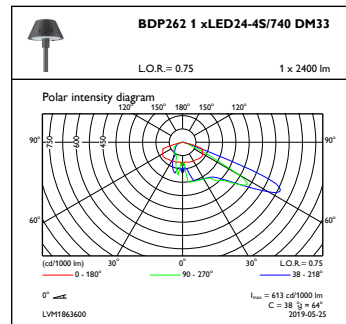


TownTune BDP260-273

Photometric data



OFPL1_BDP2621xLED24-4S740DM33



OFPC1_BDP2621xLED24-4S740DM33

