



TownTune Asymmetric DR

BDP266 LED109-4S/740 II DM10 CLO SRT SRB

TOWNTUNE ASYMMETRIC DR - LED module 10900 lm - LED - 740 neutral white - 220 to 240 V - 50 or 60 Hz - Safety class II - Distribution medium 10 - Polycarbonate bowl/cover UV-resistant - Dark Grey - Philips standard surge protection level kV - - - Universal for diameter 48-60 mm adjustable - Decorative ring

As a luminaire family prepared for existing and scalable urban spaces, TownTune offers all the recent lighting innovations in terms of performance, quality of light and connectivity. The Philips TownTune family consists of three members: a central post top, an asymmetric spigot version and a version using an extending lyre post-top bracket. Each of these three can be customised with a choice of different shapes for housing and an optional decorative ring which comes in two colours. By having these options available, you can create your very own lighting signature and give a distinctive identity to districts and cities. The luminaire family is also equipped with the QR code-based Philips Service tag, which supports installation and maintenance work and enables you to create a digital library of lighting assets and spare parts. TownTune also makes use of the Philips Ledgine optimised lighting platform, ensuring that you always have the right amount and direction of light on your street. Furthermore, thanks to being SR (System-Ready), TownTune is also future-proof and is ready to be paired with both standalone and advanced control and lighting software applications, such as Interact City.

Product data

TownTune Asymmetric DR

General Information	
Lamp family code	LED109 [LED module 10900 lm]
Light source colour	740 neutral white
Light source replaceable	Yes
Number of gear units	1 unit
Driver/power unit/transformer	Power supply unit with DALI and SystemReady interface
Driver included	Yes
Optical cover/lens type	PC-UV [Polycarbonate bowl/cover UV-resistant]
Luminaire light beam spread	12° - 76° × 157°
Control interface	DALI
Connection	Internal connector
Cable	-
Protection class IEC	Safety class II
Flammability mark	F [For mounting on normally flammable surfaces]
CE mark	CE mark
ENEC mark	ENEC mark
Warranty period	5 years
Decorative accessories	DR [Decorative ring]
Outdoor optic type	Distribution medium 10
Remarks	* At extreme ambient temperatures the luminaire might automatically dim down to protect components
Constant light output	Yes
Number of products on MCB	11
RoHS mark	RoHS mark
LED engine type	LED
Product Family Code	BDP266 [TOWNTUNE ASYMMETRIC DR]
Light Technical	
Upward light output ratio	0
Standard tilt angle post-top	-
Standard tilt angle side entry	0°
Operating and Electrical	
Input voltage	220 to 240 V
Input frequency	50 or 60 Hz
Initial CLO power consumption	58 W
Average CLO power consumption	62 W
End CLO power consumption	65 W
Inrush current	46 A
Inrush time	0.250 ms
Power factor (min.)	0.98
Controls and Dimming	
Dimmable	Yes
Mechanical and Housing	
Housing material	Aluminium die-cast
Reflector material	Acrylate

Optic material	Polymethyl methacrylate
Optical cover/lens material	Polymethyl methacrylate
Fixation material	Aluminum
Mounting device	48/60A [Universal for diameter 48-60 mm adjustable]
Optical cover/lens shape	Convex lens
Optical cover/lens finish	Clear
Overall height	131 mm
Overall diameter	533 mm
Effective projected area	0.036 m ²
Colour	Dark Grey

Approval and Application

Ingress protection code	IP66 [Dust penetration-protected, jet-proof]
Mech. impact protection code	IK09 [10 J]
Surge protection (common/differential)	Philips standard surge protection level kV

Initial Performance (IEC Compliant)

Initial luminous flux	9020 lm
Luminous flux tolerance	+/-7%
Initial LED luminaire efficacy	137 lm/W
Init. Corr. colour temperature	4000 K
Init. colour rendering index	≥70
Initial chromaticity	(0.381, 0.379) SDCM <5
Initial input power	62 W
Power consumption tolerance	+/-11%

Over Time Performance (IEC Compliant)

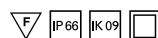
Control gear failure rate at median useful life 100000 h	10 %
Lumen maintenance at median useful life* L100	100000 h

Application Conditions

Ambient temperature range	-40 to +50 °C
Performance ambient temperature Tq	25 °C
Maximum dimming level	10%

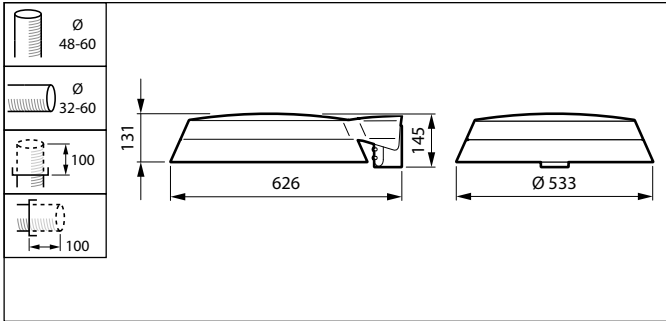
Product Data

Full product code	871869949762000
Order product name	BDP266 LED109-4S/740 II DM10 CLO SRT SRB
EAN/UPC – product	8718699497620
Order code	49762000
Numerator – quantity per pack	1
Numerator – packs per outer box	1
Material no. (12NC)	912300024203
Net weight (piece)	6.460 kg



TownTune Asymmetric DR

Dimensional drawing



TownTune BDP260-273

