



TownTune Asymmetric Lyre DR

BDP271 LED69-4S/830 II DM10 CLO SRT SRB

TOWNTUNE ASYMMETRIC LYRE and DR - LED module 6900 lm
- LED - 830 warm white - 220 to 240 V - 50 or 60 Hz - Safety class II - Distribution medium 10 - Polycarbonate bowl/cover UV-resistant - Dark Grey - Philips standard surge protection level kV - - - Post-top for diameter 62 mm

As a luminaire family prepared for existing and scalable urban spaces, TownTune offers all the recent lighting innovations in terms of performance, quality of light and connectivity. The Philips TownTune family consists of three members: a central post top, an asymmetric spigot version and a version using an extending lyre post-top bracket. Each of these three can be customised with a choice of different shapes for housing and an optional decorative ring which comes in two colours. By having these options available, you can create your very own lighting signature and give a distinctive identity to districts and cities. The luminaire family is also equipped with the QR code-based Philips Service tag, which supports installation and maintenance work and enables you to create a digital library of lighting assets and spare parts. TownTune also makes use of the Philips Ledgine optimised lighting platform, ensuring that you always have the right amount and direction of light on your street. Furthermore, thanks to being SR (System-Ready), TownTune is also future-proof and is ready to be paired with both standalone and advanced control and lighting software applications, such as Interact City.

Product data

General Information		Light source colour	830 warm white
Lamp family code	LED69 [LED module 6900 lm]	Light source replaceable	Yes

TownTune Asymmetric Lyre DR

Number of gear units	1 unit
Driver/power unit/transformer	Power supply unit with DALI and SystemReady interface
Driver included	Yes
Optical cover/lens type	PC-UV [Polycarbonate bowl/cover UV-resistant]
Luminaire light beam spread	12° - 76° × 157°
Control interface	DALI
Connection	Internal connector
Cable	-
Protection class IEC	Safety class II
Flammability mark	F [For mounting on normally flammable surfaces]
CE mark	CE mark
ENEC mark	ENEC mark
Warranty period	5 years
Outdoor optic type	Distribution medium 10
Remarks	* At extreme ambient temperatures the luminaire might automatically dim down to protect components
Constant light output	Yes
Number of products on MCB	6
RoHS mark	RoHS mark
LED engine type	LED
Product Family Code	BDP271 [TOWNTUNE ASYMMETRIC LYRE and DR]

Light Technical

Upward light output ratio	0
Standard tilt angle post-top	0°
Standard tilt angle side entry	-

Operating and Electrical

Input voltage	220 to 240 V
Input frequency	50 or 60 Hz
Initial CLO power consumption	47 W
Average CLO power consumption	50 W
End CLO power consumption	52 W
Inrush current	46 A
Inrush time	0.250 ms
Power factor (min.)	0.97

Controls and Dimming

Dimmable	Yes
----------	-----

Mechanical and Housing

Housing material	Aluminium die-cast
Reflector material	Acrylate
Optic material	Polymethyl methacrylate
Optical cover/lens material	Polymethyl methacrylate

Fixation material	Aluminum
Mounting device	62P [Post-top for diameter 62 mm]
Optical cover/lens shape	Convex lens
Optical cover/lens finish	Clear
Overall height	580 mm
Overall diameter	533 mm
Effective projected area	0.095 m ²
Colour	Dark Grey

Approval and Application

Ingress protection code	IP66 [Dust penetration-protected, jet-proof]
Mech. impact protection code	IK09 [10 J]
Surge protection (common/differential)	Philips standard surge protection level kV

Initial Performance (IEC Compliant)

Initial luminous flux	4836 lm
Luminous flux tolerance	+/-7%
Initial LED luminaire efficacy	107 lm/W
Init. Corr. colour temperature	3000 K
Init. colour rendering index	>80
Initial chromaticity	(0.410, 0.390) SDCM <5
Initial input power	50 W
Power consumption tolerance	+/-11%

Over Time Performance (IEC Compliant)

Control gear failure rate at median useful life 100000 h	10 %
Lumen maintenance at median useful life* 100000 h	L100

Application Conditions

Ambient temperature range	-40 to +50 °C
Performance ambient temperature Tq	25 °C
Maximum dimming level	10%

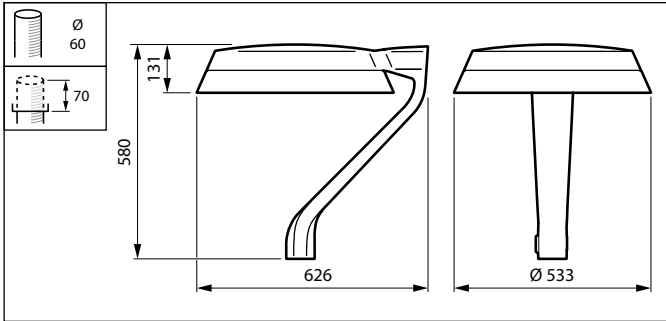
Product Data

Full product code	871869949770500
Order product name	BDP271 LED69-4S/830 II DM10 CLO SRT SRB
EAN/UPC – product	8718699497705
Order code	49770500
Numerator – quantity per pack	1
Numerator – packs per outer box	1
Material no. (12NC)	912300024211
Net weight (piece)	10.930 kg



TownTune Asymmetric Lyre DR

Dimensional drawing



TownTune BDP260-273

