



TownTune Asymmetric Lyre DTC

BDP272 LED24-4S/740 II DM33 CLO SRT SRB

TOWNTUNE ASYMMETRIC LYRE and DTC - LED Module 2400 lm - LED - 740 neutral white - 220 to 240 V - 50 or 60 Hz - Safety class II - Distribution medium 33 - Polycarbonate bowl/cover UV-resistant - Dark Grey - Philips standard surge protection level kV - - - Post-top for diameter 62 mm

As a luminaire family prepared for existing and scalable urban spaces, TownTune offers all the recent lighting innovations in terms of performance, quality of light and connectivity. The Philips TownTune family consists of three members: a central post top, an asymmetric spigot version and a version using an extending lyre post-top bracket. Each of these three can be customised with a choice of different shapes for housing and an optional decorative ring which comes in two colours. By having these options available, you can create your very own lighting signature and give a distinctive identity to districts and cities. The luminaire family is also equipped with the QR code-based Philips Service tag, which supports installation and maintenance work and enables you to create a digital library of lighting assets and spare parts. TownTune also makes use of the Philips Ledgine optimised lighting platform, ensuring that you always have the right amount and direction of light on your street. Furthermore, thanks to being SR (System-Ready), TownTune is also future-proof and is ready to be paired with both standalone and advanced control and lighting software applications, such as Interact City.

Product data

| General Information | | Light source colour | |
|---------------------|-----------------------------|--------------------------|-----|
| Lamp family code | LED24 [LED Module 2400 lm] | Light source replaceable | Yes |

TownTune Asymmetric Lyre DTC

| | |
|-------------------------------|--|
| Number of gear units | 1 unit |
| Driver/power unit/transformer | Power supply unit with DALI and SystemReady interface |
| Driver included | Yes |
| Optical cover/lens type | PC-UV [Polycarbonate bowl/cover UV-resistant] |
| Luminaire light beam spread | 4° - 58° × 149° |
| Control interface | DALI |
| Connection | Internal connector |
| Cable | - |
| Protection class IEC | Safety class II |
| Flammability mark | F [For mounting on normally flammable surfaces] |
| CE mark | CE mark |
| ENEC mark | ENEC mark |
| Warranty period | 5 years |
| Outdoor optic type | Distribution medium 33 |
| Remarks | * At extreme ambient temperatures the luminaire might automatically dim down to protect components |
| Constant light output | Yes |
| Number of products on MCB | 6 |
| RoHS mark | RoHS mark |
| LED engine type | LED |
| Product Family Code | BDP272 [TOWNTUNE ASYMMETRIC LYRE and DTC] |

Light Technical

| | |
|--------------------------------|----|
| Upward light output ratio | 0 |
| Standard tilt angle post-top | 0° |
| Standard tilt angle side entry | - |

Operating and Electrical

| | |
|-------------------------------|--------------|
| Input voltage | 220 to 240 V |
| Input frequency | 50 or 60 Hz |
| Initial CLO power consumption | 15 W |
| Average CLO power consumption | 15 W |
| End CLO power consumption | 15 W |
| Inrush current | 46 A |
| Inrush time | 0.250 ms |
| Power factor (min.) | 0.94 |

Controls and Dimming

| | |
|----------|-----|
| Dimmable | Yes |
|----------|-----|

Mechanical and Housing

| | |
|-----------------------------|-------------------------|
| Housing material | Aluminium die-cast |
| Reflector material | Acrylate |
| Optic material | Polymethyl methacrylate |
| Optical cover/lens material | Polymethyl methacrylate |

| | |
|---------------------------|------------------------------------|
| Fixation material | Aluminum |
| Mounting device | 62P [Post-top for diameter 62 mm] |
| Optical cover/lens shape | Convex lens |
| Optical cover/lens finish | Clear |
| Overall height | 758 mm |
| Overall diameter | 477 mm |
| Effective projected area | 0.121 m ² |
| Colour | Dark Grey |

Approval and Application

| | |
|--|---|
| Ingress protection code | IP66 [Dust penetration-protected, jet-proof] |
| Mech. impact protection code | IK09 [10 J] |
| Surge protection (common/differential) | Philips standard surge protection level kV |

Initial Performance (IEC Compliant)

| | |
|--------------------------------|------------------------|
| Initial luminous flux | 1760 lm |
| Luminous flux tolerance | +/-7% |
| Initial LED luminaire efficacy | 122 lm/W |
| Init. Corr. colour temperature | 4000 K |
| Init. colour rendering index | >70 |
| Initial chromaticity | (0.381, 0.379) SDCM <5 |
| Initial input power | 15 W |
| Power consumption tolerance | +/-11% |

Over Time Performance (IEC Compliant)

| | |
|--|------|
| Control gear failure rate at median useful life 100000 h | 10 % |
| Lumen maintenance at median useful life* 100000 h | L100 |

Application Conditions

| | |
|------------------------------------|---------------|
| Ambient temperature range | -40 to +50 °C |
| Performance ambient temperature Tq | 25 °C |
| Maximum dimming level | 10% |

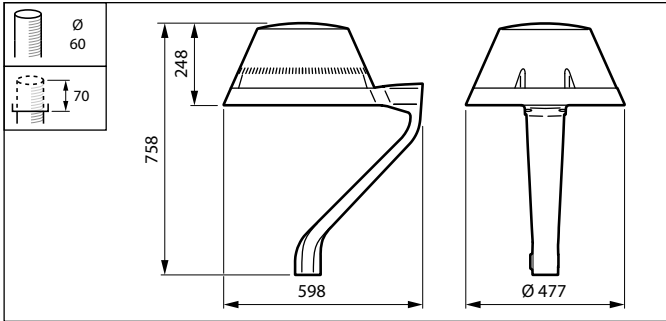
Product Data

| | |
|---------------------------------|---|
| Full product code | 871869949771200 |
| Order product name | BDP272 LED24-45/740 II DM33 CLO SRT SRB |
| EAN/UPC – product | 8718699497712 |
| Order code | 49771200 |
| Numerator – quantity per pack | 1 |
| Numerator – packs per outer box | 1 |
| Material no. (12NC) | 912300024212 |
| Net weight (piece) | 10.930 kg |



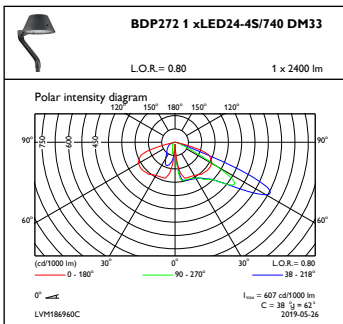
TownTune Asymmetric Lyre DTC

Dimensional drawing

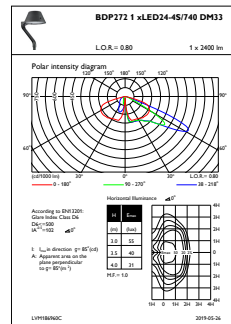


TownTune BDP260-273

Photometric data



OFPC1_BDP2721xLED24-4S740DM33



OFPL1_BDP2721xLED24-4S740DM33

