

PHILIPS

Lighting



Vaya Linear MP

BCP424 10x50 RGB L310 CE

Vaya Linear MP is a reliable and cost-effective LED lighting fixture designed for fixed or dynamic colorful lighting effects. Offering a choice of wide or elliptical beams, Vaya Linear MP is ideal for wall washing and grazing applications. Integrated power and unified power and data connectors make installation fast, easy and reliable.

Product data

General Information

Lamp family code	LED-HB [LED High Brightness]
Beam angle of light source	10 x 50 °
Light source color	Red, green and blue (RGB)
Light source replaceable	No
Driver included	Yes
Optical cover/lens type	GC [Clear glass]
CE mark	CE mark
UL mark	-
CQC mark	-
Lifetime to 70% luminous flux	60000 h
PSE mark	PSE mark

Operating and Electrical

Input Voltage	100 to 277 V
Input Frequency	50 to 60 Hz

Controls and Dimming

Dimmable	Yes
----------	-----

Mechanical and Housing

Housing Material	Aluminum extruded
Optic material	Glass

Optical cover/lens material	Tempered glass
Optical cover/lens shape	Flat
Optical cover/lens finish	Clear
Length	310 mm

Approval and Application

Ingress protection code	IP66 [Dust penetration-protected, jet-proof]
Mech. impact protection code	IK06 [1 J]

Initial Performance (IEC Compliant)

Initial luminous flux (system flux)	484 lm
Initial LED luminaire efficacy	36.4 lm/W
Init. Corr. Color Temperature	- K
Initial input power	18 W

Over Time Performance (IEC Compliant)

Lumen Maintenance 50% at 25°C Calculated	100000
Lumen Maintenance 50% at 25°C Reported	36000
Lumen Maintenance 50% at 40°C Calculated	63000
Lumen Maintenance 50% at 40°C Reported	36000
Lumen Maintenance 70% at 25°C Calculated	100000
Lumen Maintenance 70% at 25°C Reported	36000
Lumen Maintenance 70% at 40°C Calculated	29000

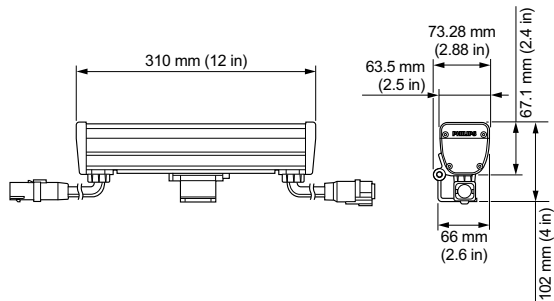
Vaya Linear MP

Lumen Maintenance 70% at 40°C Reported	29000
Application Conditions	
Ambient temperature range	-40 to +104 °F
Product Data	
Full product code	871829162556899
Order product name	BCP424 10x50 RGB L310 CE
EAN/UPC - Product	8718291625568

Order code	912400130057
Local order code	.
Numerator - Quantity Per Pack	1
Numerator - Packs per outer box	4
Material Nr. (12NC)	912400130057
Net Weight (Piece)	1.420 kg



Dimensional drawing



Vaya

