



Vaya Linear MP

BCP424 50 RGB L310 CE CQC

Vaya Linear MP is a reliable and cost-effective LED lighting fixture designed for fixed or dynamic colorful lighting effects. Offering a choice of wide or elliptical beams, Vaya Linear MP is ideal for wall washing and grazing applications. Integrated power and unified power and data connectors make installation fast, easy and reliable.

Product data

General Information	
Lamp family code	LED-HB [LED High Brightness]
Beam angle of light source	50 °
Light source color	Red, green and blue (RGB)
Light source replaceable	No
Driver included	Yes
Optical cover/lens type	GC [Clear glass]
CE mark	CE mark
UL mark	-
CQC mark	CQC-mark
Lifetime to 70% luminous flux	60000 h
PSE mark	No
Operating and Electrical	
Input Voltage	100 to 277 V
Input Frequency	50 to 60 Hz
Controls and Dimming	
Dimmable	Yes
Mechanical and Housing	
Housing Material	Aluminum extruded
Optic material	Glass

Optical cover/lens material	Tempered glass
Optical cover/lens shape	Flat
Optical cover/lens finish	Clear
Length	310 mm

Approval and Application

Ingress protection code	IP66 [Dust penetration-protected, jet-proof]
Mech. impact protection code	IK06 [1 J]

Initial Performance (IEC Compliant)

Initial luminous flux (system flux)	477 lm
Initial LED luminaire efficacy	35.1 lm/W
Init. Corr. Color Temperature	- K
Initial input power	18 W

Over Time Performance (IEC Compliant)

Lumen Maintenance 50% at 25°C Calculated	100000
Lumen Maintenance 50% at 25°C Reported	36000
Lumen Maintenance 50% at 40°C Calculated	63000
Lumen Maintenance 50% at 40°C Reported	36000
Lumen Maintenance 70% at 25°C Calculated	100000
Lumen Maintenance 70% at 25°C Reported	36000
Lumen Maintenance 70% at 40°C Calculated	29000

Vaya Linear MP

Lumen Maintenance 70% at 40°C Reported	29000
--	-------

Application Conditions

Ambient temperature range	-40 to +104 °F
---------------------------	----------------

Product Data

Order product name	BCP424 50 RGB L310 CE CQC
EAN/UPC - Product	8718291625636
Order code	912400130064

Local order code	.
------------------	---

Numerator - Quantity Per Pack	1
-------------------------------	---

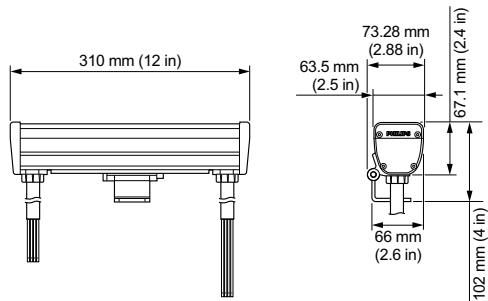
Numerator - Packs per outer box	4
---------------------------------	---

Material Nr. (12NC)	912400130064
---------------------	--------------

Net Weight (Piece)	1.420 kg
--------------------	----------



Dimensional drawing



Vaya

