



# Vaya Linear MP

## BCP426 10x50 RD L310 CE CQC

Vaya Linear MP is a reliable and cost-effective LED lighting fixture designed for fixed or dynamic colorful lighting effects. Offering a choice of wide or elliptical beams, Vaya Linear MP is ideal for wall washing and grazing applications. Integrated power and unified power and data connectors make installation fast, easy and reliable.

### Product data

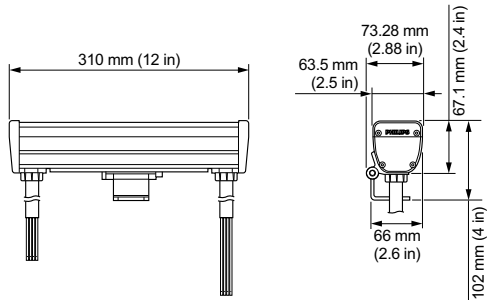
General Information		Optical cover/lens material	
Lamp family code	LED-HB [ LED High Brightness]	Optical cover/lens material	Tempered glass
Beam angle of light source	10 x 50 °	Optical cover/lens shape	Flat
Light source color	Red	Optical cover/lens finish	Clear
Light source replaceable	No	Length	310 mm
Driver included	Yes	<b>Approval and Application</b>	
Optical cover/lens type	GC [ Clear glass]	Ingress protection code	IP66 [ Dust penetration-protected, jet-proof]
CE mark	CE mark	Mech. impact protection code	IK06 [ 1 J]
UL mark	-	<b>Initial Performance (IEC Compliant)</b>	
CQC mark	CQC-mark	Init. Corr. Color Temperature	- K
Lifetime to 70% luminous flux	60000 h	<b>Application Conditions</b>	
PSE mark	No	Ambient temperature range	-40 to +104 °F
<b>Operating and Electrical</b>		<b>Product Data</b>	
Input Voltage	100 to 277 V	Full product code	871829162656599
Input Frequency	50 to 60 Hz	Order product name	BCP426 10x50 RD L310 CE CQC
<b>Controls and Dimming</b>		EAN/UPC - Product	8718291626565
Dimmable	No	Order code	912400130102
<b>Mechanical and Housing</b>		Local order code	.
Housing Material	Aluminum extruded	Numerator - Quantity Per Pack	1
Optic material	Glass	Numerator - Packs per outer box	4

# Vaya Linear MP

Material Nr. (12NC)	912400130102
Net Weight (Piece)	1.420 kg

IK06

## Dimensional drawing



Vaya

