



# Vaya Linear MP

## BCP426 50 BL L310 CE CQC

Vaya Linear MP is a reliable and cost-effective LED wall grazing luminaire for both interior and exterior use that minimizes initial investment, while offering exceptional flexibility to create eye-catching wall washing and wall grazing effects. A wide range of color and CCT options, in either static on/off or with dynamic color control, adjustable mounting brackets, wide or elliptical beam angles offer a comprehensive toolbox for your facade lighting needs. The discreet design with integrated power supply and waterproof connectors makes wiring simple, fast and reliable.

### Product data

General Information	
Lamp family code	LED-HB [ LED High Brightness]
Beam angle of light source	50 °
Light source color	Blue
Light source replaceable	No
Driver included	Yes
Optical cover/lens type	Clear glass
CE mark	CE mark
UL mark	-
CQC mark	CQC-mark
Lifetime to 70% luminous flux	60000 h
PSE mark	No
Operating and Electrical	
Input Voltage	100 to 277 V
Input Frequency	50 to 60 Hz
Controls and Dimming	
Dimmable	No

Mechanical and Housing	
Housing Material	Aluminum extruded
Optic material	Glass
Optical cover/lens material	Tempered glass
Optical cover/lens shape	Flat
Optical cover/lens finish	Clear
Length	310 mm
Color	Dark gray

Approval and Application	
Ingress protection code	IP66 [ Dust penetration-protected, jet-proof]
Mech. impact protection code	IK06 [ 1 J]

Initial Performance (IEC Compliant)	
Init. Corr. Color Temperature	- K

Application Conditions	
Ambient temperature range	-40 to +40 °C

## Vaya Linear MP

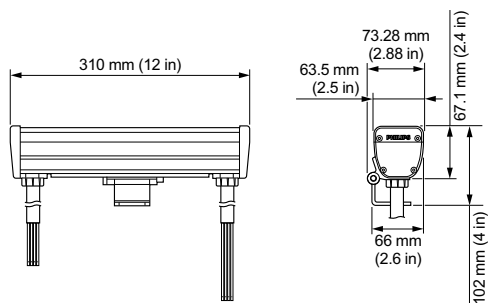
### Product Data

Full product code	871829162663399
Order product name	BCP426 50 BL L310 CE CQC
EAN/UPC - Product	8718291626633
Order code	912400130109
Numerator - Quantity Per Pack	1

Numerator - Packs per outer box	4
Material Nr. (12NC)	912400130109
Net Weight (Piece)	1.420 kg

IK06

### Dimensional drawing



Vaya

