

PHILIPS

Lighting



Vaya Linear MP

BCP426 10x50 BL L1210 CE CQC

Vaya Linear MP is a reliable and cost-effective LED lighting fixture designed for fixed or dynamic colorful lighting effects. Offering a choice of wide or elliptical beams, Vaya Linear MP is ideal for wall washing and grazing applications. Integrated power and unified power and data connectors make installation fast, easy and reliable.

Product data

General Information

Lamp family code	LED-HB [LED High Brightness]
Beam angle of light source	10 x 50 °
Light source color	Blue
Light source replaceable	No
Driver included	Yes
Optical cover/lens type	GC [Clear glass]
CE mark	CE mark
UL mark	-
CQC mark	CQC-mark
Lifetime to 70% luminous flux	60000 h
PSE mark	No

Operating and Electrical

Input Voltage	100 to 277 V
Input Frequency	50 to 60 Hz

Controls and Dimming

Dimmable	No
----------	----

Mechanical and Housing

Housing Material	Aluminum extruded
Optic material	Glass

Optical cover/lens material	Tempered glass
Optical cover/lens shape	Flat
Optical cover/lens finish	Clear
Length	1210 mm

Approval and Application

Ingress protection code	IP66 [Dust penetration-protected, jet-proof]
Mech. impact protection code	IK06 [1 J]

Initial Performance (IEC Compliant)

Init. Corr. Color Temperature	- K
-------------------------------	-----

Application Conditions

Ambient temperature range	-40 to +104 °F
---------------------------	----------------

Product Data

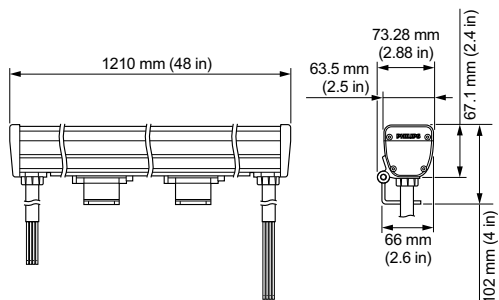
Full product code	871829162666499
Order product name	BCP426 10x50 BL L1210 CE CQC
EAN/UPC - Product	8718291626664
Order code	912400130112
Local order code	.
Numerator - Quantity Per Pack	1
Numerator - Packs per outer box	4

Vaya Linear MP

Material Nr. (12NC)	912400130112
Net Weight (Piece)	3.850 kg

IK06

Dimensional drawing



Vaya

