



Vaya Linear MP

BCP425 10x50 3000 L310 CE

Vaya Linear MP is a reliable and cost-effective LED lighting fixture designed for fixed or dynamic colourful lighting effects. Offering a choice of wide or elliptical beams, Vaya Linear MP is ideal for wall washing and grazing applications. Integrated power and unified power and data connectors make installation fast, easy and reliable.

Product data

General Information	
Lamp family code	LED-HB [LED High Brightness]
Beam angle of light source	10 x 50 °
Light source colour	Neutral white
Light source replaceable	No
Driver included	Yes
Optical cover/lens type	GC [Clear glass]
CE mark	CE mark
UL mark	No
CQC mark	-
Lifetime to 70% luminous flux	60000 h
PSE mark	PSE mark
Operating and Electrical	
Input voltage	100 to 277 V
Input frequency	50 to 60 Hz
Controls and Dimming	
Dimmable	Yes
Mechanical and Housing	
Housing material	Extruded aluminium

Optic material	Glass
Optical cover/lens material	Tempered glass
Optical cover/lens shape	Flat
Optical cover/lens finish	Clear
Length	310 mm
Colour	Dark Grey

Approval and Application

Ingress protection code	IP66 [Dust penetration-protected, jet-proof]
Mech. impact protection code	IK06 [1 J]
Vibration standard	Complies with ANSI C136.31 Complies with ANSI C136.31

Initial Performance (IEC Compliant)

Initial luminous flux	792 lm
Initial LED luminaire efficacy	54.3 lm/W
Init. Corr. colour temperature	3000 K
Init. colour rendering index	78
Initial input power	18 W

Vaya Linear MP

Over Time Performance (IEC Compliant)

Lumen Maintenance 70% at 25°C Calculated	100000
Lumen Maintenance 70% at 25°C Reported	60000
Lumen Maintenance 70% at 40°C Calculated	100000
Lumen Maintenance 70% at 40°C Reported	60000
Lumen Maintenance 80% at 25°C Reported	60000
Lumen Maintenance 80% at 40°C Calculated	100000
Lumen Maintenance 80% at 40°C Reported	60000
Lumen Maintenance 80% at 50°C Calculated	100000
Lumen Maintenance 90% at 25°C Calculated	62000
Lumen Maintenance 90% at 25°C Reported	60000
Lumen Maintenance 90% at 40°C Calculated	62000
Lumen Maintenance 90% at 40°C Reported	60000

Application Conditions

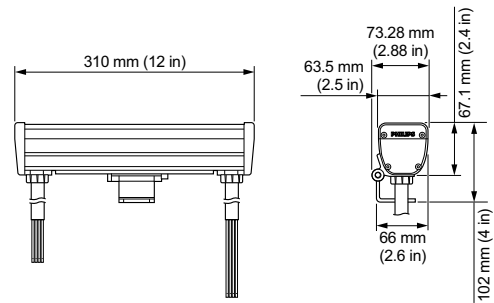
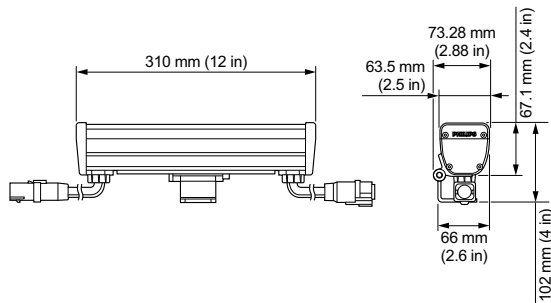
Ambient temperature range	-40 to +40 °C
---------------------------	---------------

Product Data

Full product code	871829162568199
Order product name	BCP425 10x50 3000 L310 CE
EAN/UPC – product	8718291625681
Order code	62568199
Numerator – quantity per pack	1
Numerator – packs per outer box	4
Material no. (12NC)	912400130118
Net weight (piece)	1.360 kg



Dimensional drawing



Vaya

Vaya

