



Vaya Linear MP

BCP425 10x50 3000 L310 CE

Vaya Linear MP is a reliable and cost-effective LED lighting fixture designed for fixed or dynamic colorful lighting effects. Offering a choice of wide or elliptical beams, Vaya Linear MP is ideal for wall washing and grazing applications. Integrated power and unified power and data connectors make installation fast, easy and reliable.

Product data

General Information		Optical cover/lens material	
Lamp family code	LED-HB [LED High Brightness]	Optical cover/lens material	Tempered glass
Beam angle of light source	10 x 50 °	Optical cover/lens shape	Flat
Light source color	Neutral white	Optical cover/lens finish	Clear
Light source replaceable	No	Length	310 mm
Driver included	Yes	Approval and Application	
Optical cover/lens type	GC [Clear glass]	Ingress protection code	IP66 [Dust penetration-protected, jet-proof]
CE mark	CE mark	Mech. impact protection code	IK06 [1 J]
UL mark	-	Initial Performance (IEC Compliant)	
CQC mark	-	Initial luminous flux (system flux)	792 lm
Lifetime to 70% luminous flux	60000 h	Initial LED luminaire efficacy	54.3 lm/W
PSE mark	PSE mark	Init. Corr. Color Temperature	3000 K
Operating and Electrical		Init. Color Rendering Index	78
Input Voltage	100 to 277 V	Initial input power	18 W
Input Frequency	50 to 60 Hz	Over Time Performance (IEC Compliant)	
Controls and Dimming		Lumen Maintenance 70% at 25°C Calculated	100000
Dimmable	Yes	Lumen Maintenance 70% at 25°C Reported	60000
Mechanical and Housing		Lumen Maintenance 70% at 40°C Calculated	100000
Housing Material	Aluminum extruded	Lumen Maintenance 70% at 40°C Reported	60000
Optic material	Glass	Lumen Maintenance 80% at 25°C Reported	60000
		Lumen Maintenance 80% at 40°C Calculated	100000

Vaya Linear MP

Lumen Maintenance 80% at 40°C Reported	60000
Lumen Maintenance 80% at 50°C Calculated	100000
Lumen Maintenance 90% at 25°C Calculated	62000
Lumen Maintenance 90% at 25°C Reported	60000
Lumen Maintenance 90% at 40°C Calculated	62000
Lumen Maintenance 90% at 40°C Reported	60000

Application Conditions

Ambient temperature range	-40 to +104 °F
---------------------------	----------------

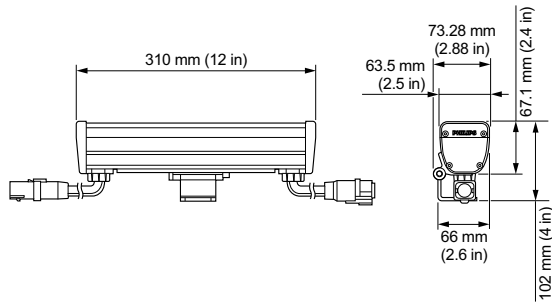
Product Data

Full product code	871829162568199
-------------------	-----------------

Order product name	BCP425 10x50 3000 L310 CE
EAN/UPC - Product	8718291625681
Order code	912400130118
Local order code	.
Numerator - Quantity Per Pack	1
Numerator - Packs per outer box	4
Material Nr. (12NC)	912400130118
Net Weight (Piece)	1.360 kg

IK 06

Dimensional drawing



Vaya

