



# Vaya Linear MP

## BCP425 10x50 3000 L1210 CE

Vaya Linear MP is a reliable and cost-effective LED lighting fixture designed for fixed or dynamic colorful lighting effects. Offering a choice of wide or elliptical beams, Vaya Linear MP is ideal for wall washing and grazing applications. Integrated power and unified power and data connectors make installation fast, easy and reliable.

### Product data

General Information		Optic material	
Lamp family code	LED-HB [ LED High Brightness]	Optic material	Glass
Beam angle of light source	10 x 50 °	Optical cover/lens material	Tempered glass
Light source colour	Neutral white	Optical cover/lens shape	Flat
Light source replaceable	No	Optical cover/lens finish	Clear
Driver included	Yes	Length	1210 mm
Optical cover/lens type	GC [ Clear glass]	Colour	Dark gray
CE mark	CE mark	<b>Approval and Application</b>	
UL mark	-	Ingress protection code	IP66 [ Dust penetration-protected, jet-proof]
CQC mark	-	Mech. impact protection code	IK06 [ 1 J]
Lifetime to 70% luminous flux	60000 h	Vibration standard	Complies with ANSI C136.31 Complies with ANSI C136.31
PSE mark	PSE mark	<b>Initial Performance (IEC Compliant)</b>	
<b>Operating and Electrical</b>		Initial luminous flux	3169 lm
Input voltage	100 to 277 V	Initial LED luminaire efficacy	54.3 lm/W
Input frequency	50 to 60 Hz	Init. Corr. colour temperature	3000 K
<b>Controls and Dimming</b>		Init. colour rendering index	78
Dimmable	Yes	Initial input power	60 W
<b>Mechanical and Housing</b>			
Housing material	Aluminum extruded		

# Vaya Linear MP

## Over Time Performance (IEC Compliant)

Lumen Maintenance 70% at 25°C Calculated	100000
Lumen Maintenance 70% at 25°C Reported	60000
Lumen Maintenance 70% at 40°C Calculated	100000
Lumen Maintenance 70% at 40°C Reported	60000
Lumen Maintenance 80% at 25°C Reported	60000
Lumen Maintenance 80% at 40°C Calculated	100000
Lumen Maintenance 80% at 40°C Reported	60000
Lumen Maintenance 80% at 50°C Calculated	100000
Lumen Maintenance 90% at 25°C Calculated	62000
Lumen Maintenance 90% at 25°C Reported	60000
Lumen Maintenance 90% at 40°C Calculated	62000
Lumen Maintenance 90% at 40°C Reported	60000

## Application Conditions

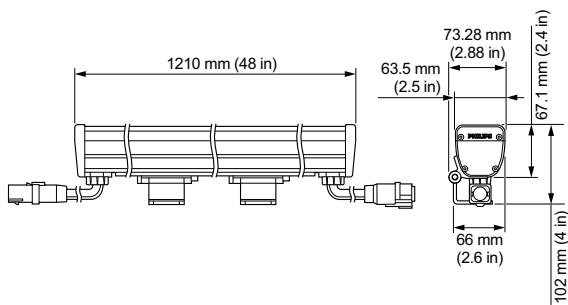
Ambient temperature range	-40 to +40 °C
---------------------------	---------------

## Product Data

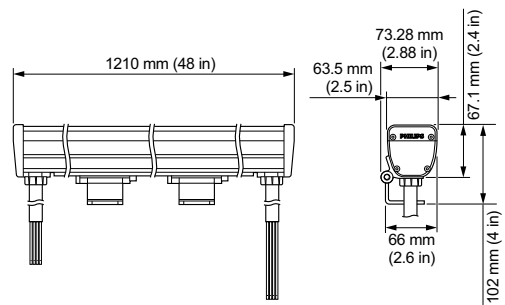
Full product code	871829162570499
Order product name	BCP425 10x50 3000 L1210 CE
EAN/UPC – product	8718291625704
Order code	62570499
Numerator – quantity per pack	1
Numerator – packs per outer box	4
Material no. (12NC)	912400130120
Net weight (piece)	3.760 kg



## Dimensional drawing



Vaya



Vaya

