



# Vaya Linear MP

## BCP425 50 4000 L1210 CE

Vaya Linear MP is a reliable and cost-effective LED lighting fixture designed for fixed or dynamic colourful lighting effects. Offering a choice of wide or elliptical beams, Vaya Linear MP is ideal for wall washing and grazing applications. Integrated power and unified power and data connectors make installation fast, easy and reliable.

### Product data

General Information		Optic material	
Lamp family code	LED-HB [ LED High Brightness]	Optic material	Glass
Beam angle of light source	50 °	Optical cover/lens material	Tempered glass
Light source colour	Cool white	Optical cover/lens shape	Flat
Light source replaceable	No	Optical cover/lens finish	Clear
Driver included	Yes	Length	1210 mm
Optical cover/lens type	GC [ Clear glass]	Colour	Dark Grey
CE mark	CE mark	<b>Approval and Application</b>	
UL mark	No	Ingress protection code	IP66 [ Dust penetration-protected, jet-proof]
CQC mark	-	Mech. impact protection code	IK06 [ 1 J]
Lifetime to 70% luminous flux	60000 h	Vibration standard	Complies with ANSI C136.31 Complies with ANSI C136.31
PSE mark	PSE mark	<b>Initial Performance (IEC Compliant)</b>	
<b>Operating and Electrical</b>		Initial luminous flux	3496 lm
Input voltage	100 to 277 V	Initial luminous flux at color temperature of 4000 K	3496 lm
Input frequency	50 to 60 Hz	Initial LED luminaire efficacy	61.1 lm/W
<b>Controls and Dimming</b>		Init. Corr. colour temperature	4000 K
Dimmable	Yes	Init. colour rendering index	83
<b>Mechanical and Housing</b>			
Housing material	Extruded aluminium		

## Vaya Linear MP

Initial input power	60 W
<b>Over Time Performance (IEC Compliant)</b>	
Lumen Maintenance 70% at 25°C Calculated	100000
Lumen Maintenance 70% at 25°C Reported	60000
Lumen Maintenance 70% at 40°C Calculated	100000
Lumen Maintenance 70% at 40°C Reported	60000
Lumen Maintenance 80% at 25°C Reported	60000
Lumen Maintenance 80% at 40°C Calculated	100000
Lumen Maintenance 80% at 40°C Reported	60000
Lumen Maintenance 80% at 50°C Calculated	100000
Lumen Maintenance 90% at 25°C Calculated	62000
Lumen Maintenance 90% at 25°C Reported	60000
Lumen Maintenance 90% at 40°C Calculated	62000
Lumen Maintenance 90% at 40°C Reported	60000

### Application Conditions

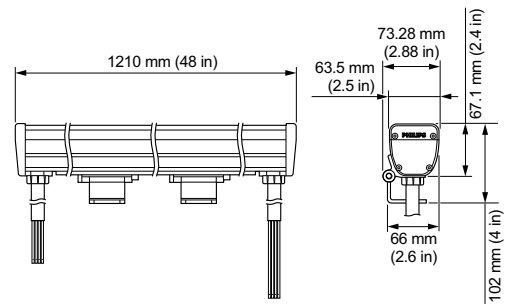
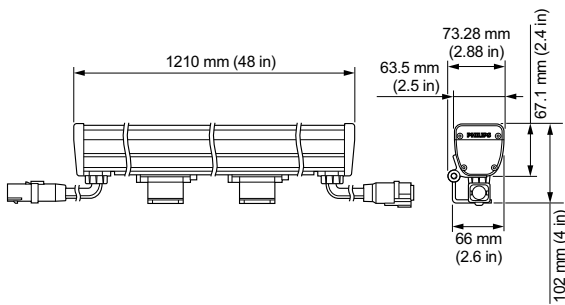
Ambient temperature range	-40 to +40 °C
---------------------------	---------------

### Product Data

Full product code	871829162573599
Order product name	BCP425 50 4000 L1210 CE
EAN/UPC – product	8718291625735
Order code	62573599
Numerator – quantity per pack	1
Numerator – packs per outer box	4
Material no. (12NC)	912400130123
Net weight (piece)	3.760 kg

IK06

### Dimensional drawing



Vaya

Vaya

