



Vaya Linear MP

BCP425 10x50 4000 L310 UL

LED High Brightness

Vaya Linear MP is a reliable and cost-effective LED wall grazing luminaire for both interior and exterior use that minimizes initial investment, while offering exceptional flexibility to create eye-catching wall washing and wall grazing effects. A wide range of color and CCT options, in either static on/off or with dynamic color control, adjustable mounting brackets, wide or elliptical beam angles offer a comprehensive toolbox for your facade lighting needs. The discreet design with integrated power supply and waterproof connectors makes wiring simple, fast and reliable.

Product data

General Information		Optic material	
Lamp family code	LED-HB [LED High Brightness]	Optic material	Glass
Light source color	Neutral white	Optical cover/lens material	Tempered glass
Light source replaceable	No	Optical cover/lens shape	Flat
Driver included	Yes	Optical cover/lens finish	Clear
Optical cover/lens type	Clear glass	Length	310 mm
UL mark	UL and cUL mark	Color	Dark gray
Lifetime to 70% luminous flux	60000 h	Approval and Application	
Operating and Electrical		Ingress protection code	IP66 [Dust penetration-protected, jet-proof]
Input Voltage	100 to 277 V	Mech. impact protection code	IK06 [1 J]
Input Frequency	50 to 60 Hz	Vibration Standard	Complies with ANSI C136.31
Controls and Dimming		Vibration Rating	Complies with ANSI C136.31
Dimmable	Yes	Initial Performance (IEC Compliant)	
Mechanical and Housing		Initial luminous flux (system flux)	844 lm
Housing Material	Aluminum extruded	Initial luminous flux at color temperature of 4000 K	844 lm

Vaya Linear MP

Initial LED luminaire efficacy	59 lm/W
Init. Corr. Color Temperature	4000 K
Init. Color Rendering Index	83
Initial input power	18 W

Over Time Performance (IEC Compliant)

Lumen Maintenance 70% at 25°C Calculated	100000
Lumen Maintenance 70% at 25°C Reported	60000
Lumen Maintenance 70% at 40°C Calculated	100000
Lumen Maintenance 70% at 40°C Reported	60000
Lumen Maintenance 80% at 25°C Reported	60000
Lumen Maintenance 80% at 40°C Calculated	100000
Lumen Maintenance 80% at 40°C Reported	60000
Lumen Maintenance 80% at 50°C Calculated	100000
Lumen Maintenance 90% at 25°C Calculated	62000
Lumen Maintenance 90% at 25°C Reported	60000
Lumen Maintenance 90% at 40°C Calculated	62000

Lumen Maintenance 90% at 40°C Reported	60000
--	-------

Application Conditions

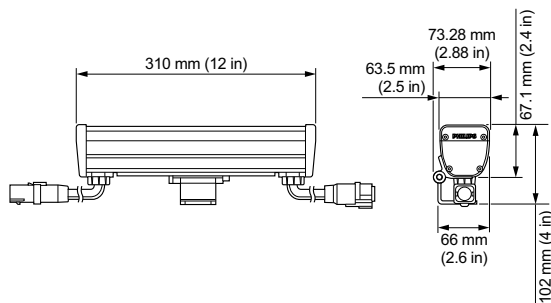
Ambient temperature range	-40 to +40 °C
---------------------------	---------------

Product Data

Full product code	871829162580399
Order product name	BCP425 10x50 4000 L310 UL
EAN/UPC - Product	8718291625803
Order code	912400130130
Numerator - Quantity Per Pack	1
Numerator - Packs per outer box	4
Material Nr. (12NC)	912400130130
Net Weight (Piece)	1.360 kg



Dimensional drawing



Vaya

