

PHILIPS

Lighting



Vaya Linear MP

BCP425 50 2700 L310 CE

Vaya Linear MP is a reliable and cost-effective LED lighting fixture designed for fixed or dynamic colorful lighting effects. Offering a choice of wide or elliptical beams, Vaya Linear MP is ideal for wall washing and grazing applications. Integrated power and unified power and data connectors make installation fast, easy and reliable.

Product data

General Information

| | |
|-------------------------------|-------------------------------|
| Lamp family code | LED-HB [LED High Brightness] |
| Beam angle of light source | 50 ° |
| Light source color | Warm white |
| Light source replaceable | No |
| Driver included | Yes |
| Optical cover/lens type | GC [Clear glass] |
| CE mark | CE mark |
| UL mark | - |
| CQC mark | - |
| Lifetime to 70% luminous flux | 60000 h |
| PSE mark | PSE mark |

Operating and Electrical

| | |
|-----------------|--------------|
| Input Voltage | 100 to 277 V |
| Input Frequency | 50 to 60 Hz |

Controls and Dimming

| | |
|----------|-----|
| Dimmable | Yes |
|----------|-----|

Mechanical and Housing

| | |
|------------------|-------------------|
| Housing Material | Aluminum extruded |
| Optic material | Glass |

| | |
|-----------------------------|----------------|
| Optical cover/lens material | Tempered glass |
| Optical cover/lens shape | Flat |
| Optical cover/lens finish | Clear |
| Length | 310 mm |

Approval and Application

| | |
|------------------------------|---|
| Ingress protection code | IP66 [Dust penetration-protected, jet-proof] |
| Mech. impact protection code | IK06 [1 J] |

Initial Performance (IEC Compliant)

| | |
|--|--------|
| Initial luminous flux (system flux) | 840 lm |
| Initial luminous flux at color temperature of 2700 K | 840 lm |
| Init. Corr. Color Temperature | 2700 K |
| Initial input power | 18 W |

Over Time Performance (IEC Compliant)

| | |
|--|--------|
| Lumen Maintenance 70% at 25°C Calculated | 100000 |
| Lumen Maintenance 70% at 25°C Reported | 60000 |
| Lumen Maintenance 70% at 40°C Calculated | 100000 |
| Lumen Maintenance 70% at 40°C Reported | 60000 |
| Lumen Maintenance 80% at 25°C Reported | 60000 |
| Lumen Maintenance 80% at 40°C Calculated | 100000 |
| Lumen Maintenance 80% at 40°C Reported | 60000 |

Vaya Linear MP

| | |
|--|--------|
| Lumen Maintenance 80% at 50°C Calculated | 100000 |
| Lumen Maintenance 90% at 25°C Calculated | 62000 |
| Lumen Maintenance 90% at 25°C Reported | 60000 |
| Lumen Maintenance 90% at 40°C Calculated | 62000 |
| Lumen Maintenance 90% at 40°C Reported | 60000 |

Application Conditions

| | |
|---------------------------|----------------|
| Ambient temperature range | -40 to +104 °F |
|---------------------------|----------------|

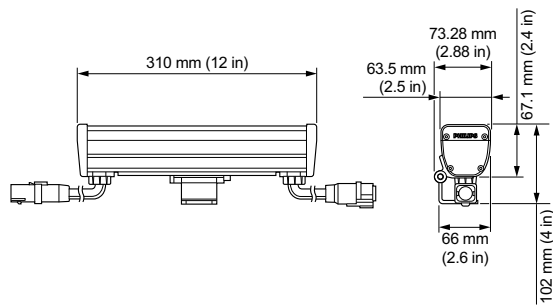
Product Data

| | |
|-------------------|-----------------|
| Full product code | 871829162591999 |
|-------------------|-----------------|

| | |
|---------------------------------|------------------------|
| Order product name | BCP425 50 2700 L310 CE |
| EAN/UPC - Product | 8718291625919 |
| Order code | 912400130141 |
| Local order code | . |
| Numerator - Quantity Per Pack | 1 |
| Numerator - Packs per outer box | 4 |
| Material Nr. (12NC) | 912400130141 |
| Net Weight (Piece) | 1.360 kg |



Dimensional drawing



Vaya

