



eColor Blast Powercore gen4

BCP482 36xLED-HB/AMBER 100-277V 6 BK

eColor Blast Powercore gen4 high-performance LED luminaires provide a high-intensity wash of color light with simplified installation. eColor Blast Powercore gen4 offers a range of accessories that allow for customizable beam angles for floodlighting, spotlighting, wall washing, and grazing, along with the efficiency and cost-effectiveness of Powercore technology in a rugged die-cast aluminium housing.

Product data

General Information	
Light source color	Amber
Light source replaceable	No
Driver included	Yes
Luminaire light beam spread	6°
CE mark	CE mark
UL mark	UL and cUL mark
FCC mark	FCC Class B
Operating and Electrical	
Input Voltage	100 to 277 V
Input Frequency	50 to 60 Hz
Power Factor (Nom)	0.9 @ 120 VAC, 0.85 @ 277 VAC
Controls and Dimming	
Dimmable	Yes
Mechanical and Housing	
Housing Material	Aluminum die-cast
Optic material	Glass

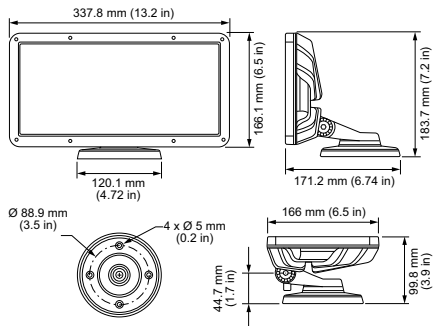
Optical cover/lens material	Glass
Optical cover/lens shape	Flat
Optical cover/lens finish	Clear
Effective projected area	0.068 m ²
Approval and Application	
Ingress protection code	IP66 [Dust penetration-protected, jet-proof]
Mech. impact protection code	IK10 [20 J vandal-resistant]
Initial Performance (IEC Compliant)	
Initial input power	50 W
Product Data	
Full product code	871829138901999
Order product name	BCP482 36xLED-HB/AMBER 100-277V 6 BK
EAN/UPC - Product	8718291389019
Order code	912400130368
Local order code	.
Numerator - Quantity Per Pack	1
Numerator - Packs per outer box	2

eColor Blast Powercore gen4

Material Nr. (12NC)	912400130368
Net Weight (Piece)	4.146 kg

IP66 IK10

Dimensional drawing



eColor Blast Powercore gen4

