



ColorBlast IntelliHue Powercore gen4



ColorBlast IntelliHue Powercore gen4, 100 – 277 VAC, 10° Native (no spread lens), White Housing, UL/CE/CQC

ColorBlast IntelliHue Powercore gen4, 100 – 277 VAC, 10° Native (no spread lens), White Housing, UL/CE/CQC

ColorBlast IntelliHue Powercore produces high-quality white, pastel, and saturated color light, in the same precisely controllable luminaire. IntelliHue technology delivers exceptional CRI and the ability to choose any CCT between 2000 K and 10000 K. ColorBlast IntelliHue Powercore offers a range of accessories that allow for customizable beam angles for floodlighting, spotlighting, wall washing, and grazing, along with the efficiency and cost-effectiveness of Powercore technology in a rugged die-cast aluminium housing.

Product data

General information		CE mark	CE mark
Beam angle of light source	10 °	ENEC mark	ENEC mark
Light source color	IntelliHue	UL mark	UL and cUL mark
Light source replaceable	No	Optic type outdoor	Narrow beam angle 10°
Number of gear units	1 unit	Constant light output	No
Driver/power unit/transformer	-	EU RoHS compliant	No
Driver included	Yes	WEEE mark	-
Optical cover/lens type	Tempered glass	Accessory PFC	ZCP485
Luminaire light beam spread	10°		
Cable	Cable 1.8 m without plug		
Protection class IEC	Safety class I	Light technical	
		Standard tilt angle posttop	0°

ColorBlast IntelliHue Powercore gen4

Standard tilt angle side entry	0°
Efficacy (lm/W) @ 4000 K	62.5 lm/W
Efficacy (lm/W) @ 2700 K	65.5 lm/W
CRI @ 4000 K	86.2
CRI @ 2700	92.7

Operating and electrical

Input Voltage	100 to 277 V
Input Frequency	50 to 60 Hz
Power Factor (Nom)	-

Controls and dimming

Dimmable	Yes
----------	-----

Mechanical and housing

Housing Material	Aluminum die cast
Optic material	Glass
Optical cover/lens material	Tempered glass
Optical cover/lens shape	Flat
Optical cover/lens finish	Clear
Color	White

Approval and application

Ingress protection code	IP66 [Dust penetration-protected, jet-proof]
Energy Efficiency Class	G
Mech. impact protection code	IK10 [20 J vandal-resistant]
Vibration Standard	Complies with ANSI C136.31, 3G
Corrosion Resistance	Complies with ASTM B117 standard for > 1,500 hours
Vibration Rating	Complies with ANSI C136.31, 3G
EPREL Registration Number	887841

Initial performance (IEC compliant)

Initial luminous flux (system flux)	2434 lm
Initial LED luminaire efficacy	50.8 lm/W
Init. Color Rendering Index	80
Initial input power	50 W

Over time performance (IEC compliant)

Lumen Maintenance 50% at 25°C Calculated	90300
Lumen Maintenance 50% at 25°C Reported	54000
Lumen Maintenance 50% at 50°C Calculated	90300
Lumen Maintenance 50% at 50°C Reported	54000
Lumen Maintenance 70% at 25°C Calculated	46100
Lumen Maintenance 70% at 25°C Reported	46100
Lumen Maintenance 70% at 50°C Calculated	46100
Lumen Maintenance 70% at 50°C Reported	46100
Lumen Maintenance 80% at 25°C Calculated	28600
Lumen Maintenance 80% at 25°C Reported	28600
Lumen Maintenance 80% at 50°C Calculated	28600
Lumen Maintenance 80% at 50°C Reported	28600
Lumen Maintenance 90% at 25°C Calculated	13100
Lumen Maintenance 90% at 25°C Reported	13100
Lumen Maintenance 90% at 50°C Calculated	13100
Lumen Maintenance 90% at 50°C Reported	13100

Application conditions

Ambient temperature range	-40 to +50 °C
---------------------------	---------------

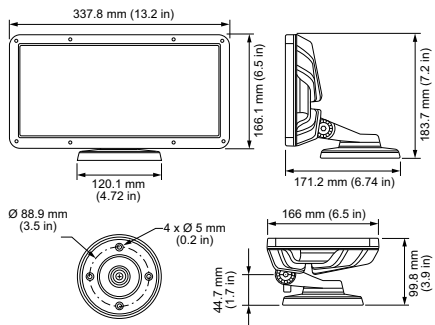
Product data

Full product code	871829138835799
Order product name	BCP483 36xLED-HB/RGBMW 100-277V 10 WH
EAN/UPC - Product	8718291388357
Order code	423-000011-00
Numerator - Quantity Per Pack	1
Numerator - Packs per outer box	2
Material Nr. (12NC)	912400130371
Net Weight (Piece)	4.146 kg
Catalog Number	423-000011-00
Catalog Number Description	ColorBlast IntelliHue Powercore gen4, 100 - 277 VAC, 10° Native (no spread lens), White Housing, UL/CE/CQC



ColorBlast IntelliHue Powercore gen4

Dimensional drawing



BCP483 36xLED-HB/RGBMW 100-277V 10 WH

