



ColorBlast Powercore gen4, RGBW



ColorBlast Powercore gen4, RGBW, 100 – 277 VAC, 10° Native (no spread lens), Black Housing, UL/CE/CQC

ColorBlast Powercore gen4, RGBW, 100 – 277 VAC, 10° Native (no spread lens), Black Housing, UL/CE/CQC

ColorBlast Powercore gen4 high-performance LED luminaires combine white and rich, saturated, color and color-changing effects with simplified installation. ColorBlast Powercore gen4 offers a range of accessories that allow customizable beam angles for floodlighting, spotlighting, wall washing, and grazing, along with the efficiency and cost-effectiveness of Powercore technology in a rugged die-cast aluminium housing.

Product data

General information		Operating and electrical	
Number of light sources	36 pcs	ENEC mark	ENEC mark
Beam angle of light source	10°	UL mark	UL and cUL mark
Light source color	RGBW	Lifetime to 50% luminous flux	72300 h
Light source replaceable	No	Lifetime to 70% luminous flux	72300 h
Number of gear units	1 unit	Lifetime to 90% luminous flux	20100 h
Driver/power unit/transformer	Power supply unit with DMX interface	Optic type outdoor	Narrow beam angle 10°
Driver included	Yes	Constant light output	No
Optical cover/lens type	Clear flat	Accessory PFC	ZCP485
Luminaire light beam spread	10°		
Protection class IEC	Safety class I	Input Voltage	100 to 277 V
CE mark	CE mark	Input Frequency	50 to 60 Hz

ColorBlast Powercore gen4, RGBW

Power Factor (Nom)	-
Controls and dimming	
Dimmable	Yes
Mechanical and housing	
Housing Material	Aluminum die cast
Optic material	Glass
Optical cover/lens material	Tempered glass
Mounting device	Baseplate
Optical cover/lens shape	Flat
Optical cover/lens finish	Clear
Color	Black

Approval and application

Ingress protection code	IP66 [Dust penetration-protected, jet-proof]
Energy Efficiency Class	G
Mech. impact protection code	IK10 [20 J vandal-resistant]
Vibration Standard	Complies with ANSI C136.31, 3G
Corrosion Resistance	Complies with ASTM B117 standard for > 1,500 hours
Vibration Rating	Complies with ANSI C136.31, 3G
EPREL Registration Number	887844

Initial performance (IEC compliant)

Initial luminous flux (system flux)	2162 lm
Initial LED luminaire efficacy	44.9 lm/W
Initial input power	50 W

Over time performance (IEC compliant)

Lumen Maintenance 50% at 25°C Calculated	90300
Lumen Maintenance 50% at 25°C Reported	54000
Lumen Maintenance 50% at 50°C Calculated	90300

Lumen Maintenance 50% at 50°C Reported	54000
Lumen Maintenance 70% at 25°C Calculated	46100
Lumen Maintenance 70% at 25°C Reported	46100
Lumen Maintenance 70% at 50°C Calculated	46100
Lumen Maintenance 70% at 50°C Reported	46100
Lumen Maintenance 80% at 25°C Calculated	28600
Lumen Maintenance 80% at 25°C Reported	28600
Lumen Maintenance 80% at 50°C Calculated	28600
Lumen Maintenance 80% at 50°C Reported	28600
Lumen Maintenance 90% at 25°C Calculated	13100
Lumen Maintenance 90% at 25°C Reported	13100
Lumen Maintenance 90% at 50°C Calculated	13100
Lumen Maintenance 90% at 50°C Reported	13100

Application conditions

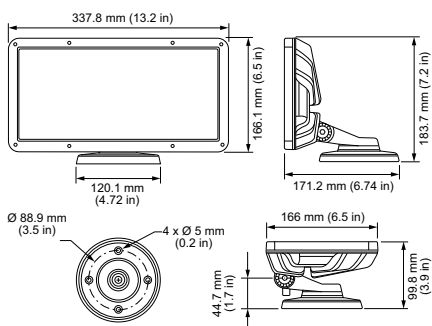
Ambient temperature range	-40 to +50 °C
---------------------------	---------------

Product data

Full product code	871829138842599
Order product name	BCP484 36xLED-HB/RGBW 100-277V 10 BK
EAN/UPC - Product	8718291388425
Order code	423-000012-01
Numerator - Quantity Per Pack	1
Numerator - Packs per outer box	2
Material Nr. (12NC)	912400130376
Net Weight (Piece)	4.146 kg
Catalog Number	423-000012-01
Catalog Number Description	ColorBlast Powercore gen4, RGBW, 100 – 277 VAC, 10° Native (no spread lens), Black Housing, UL/CE/CQC



Dimensional drawing



BCP484 36xLED-HB/RGBW 100-277V 10 BK

ColorBlast Powercore gen4, RGBW

