



# ColorBlast RGBW/RGBW Powercore gen4

**BCP484 36xLED-HB/RGBA 100-277V 10 WH CQC**

RGBA - Narrow beam angle 10° - White

ColorBlast RGBW/RGBW Powercore gen4 is the next generation of indoor and outdoor floodlighting. Ideally suited for wall washing, grazing and spotlighting, ColorBlast Powercore RGBW gen4 is a high-performance fixture that provides the benefits of fully saturated colors plus amber. All four channels used together expand the available range of colors to include orange and warmer tones. ColorBlast Powercore RGBW gen4 is best suited for pastels, saturated red, and producing white and color light in the same fixture. ColorBlast RGBW/RGBW Powercore gen4 also offers a range of field-configurable beam angles, as well as the flexibility of customization with a full range of accessories that can be used in endless configurations.

## Product data

General Information		Operating and Electrical	
Number of light sources	No [-]	Lifetime to 50% luminous flux	72300 h
Beam angle of light source	10°	Lifetime to 70% luminous flux	72300 h
Light source color	RGBA	Lifetime to 90% luminous flux	20100 h
Light source replaceable	No	Optic type outdoor	Narrow beam angle 10°
Number of gear units	1 unit	Constant light output	No
Driver/power unit/transformer	PSDMX [ Power supply unit with DMX interface]	Accessory PFC	ZCP485
Driver included	Yes		
Optical cover/lens type	CLFT [ Clear flat]	Input Voltage	100 to 277 V
Luminaire light beam spread	10°	Input Frequency	50 to 60 Hz
Protection class IEC	Safety class I (I)	Power Factor (Nom)	0.99 @ 120 VAC, 0.91 @ 277 VAC
CE mark	CE mark		
ENEC mark	ENEC mark		

# ColorBlast RGBA/RGBW Powercore gen4

## Controls and Dimming

Dimmable	Yes
----------	-----

## Mechanical and Housing

Housing Material	Aluminum die-cast
Optic material	Glass
Optical cover/lens material	Tempered glass
Mounting device	Baseplate
Optical cover/lens shape	Flat
Optical cover/lens finish	Clear

## Approval and Application

Ingress protection code	IP66 [ Dust penetration-protected, jet-proof]
Mech. Impact protection code	IK10 [ 20 J vandal-resistant]

## Initial Performance (IEC Compliant)

Initial luminous flux (system flux)	1852 lm
Initial LED luminaire efficacy	38.6 lm/W
Init. Corr. Color Temperature	2700 to 4000 K
Initial input power	50 W

## Over Time Performance (IEC Compliant)

Lumen Maintenance 50% at 25°C Calculated	100000
Lumen Maintenance 50% at 25°C Reported	54000
Lumen Maintenance 50% at 50°C Calculated	100000
Lumen Maintenance 50% at 50°C Reported	54000
Lumen Maintenance 70% at 25°C Calculated	63300
Lumen Maintenance 70% at 25°C Reported	54000

Lumen Maintenance 70% at 50°C Calculated	63300
Lumen Maintenance 70% at 50°C Reported	54000
Lumen Maintenance 80% at 25°C Calculated	35700
Lumen Maintenance 80% at 25°C Reported	35700
Lumen Maintenance 80% at 50°C Calculated	35700
Lumen Maintenance 80% at 50°C Reported	35700
Lumen Maintenance 90% at 25°C Calculated	11300
Lumen Maintenance 90% at 25°C Reported	11300
Lumen Maintenance 90% at 50°C Calculated	11300
Lumen Maintenance 90% at 50°C Reported	11300

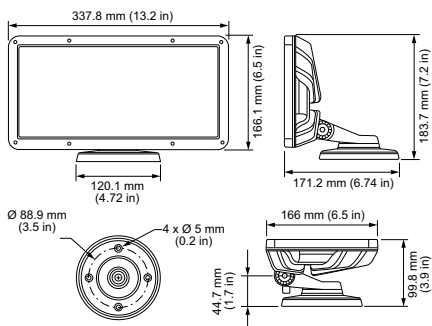
## Application Conditions

Ambient temperature range	-40 to +122 °F
---------------------------	----------------

## Product Data

Order product name	BCP484 36xLED-HB/RGBA 100-277V 10 WH CQC
EAN/UPC - Product	8718291388494
Order code	912400130381
Local order code	.
Numerator - Quantity Per Pack	1
Numerator - Packs per outer box	2
Material Nr. (12NC)	912400130381
Net Weight (Piece)	4.146 kg

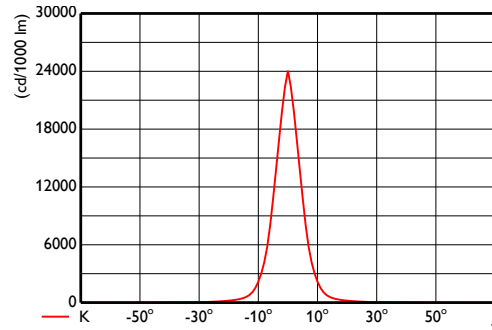
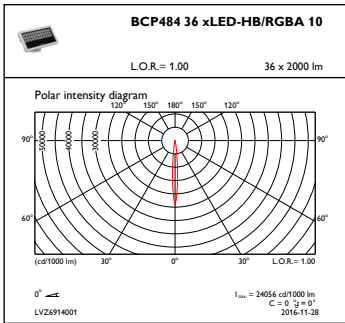
## Dimensional drawing



ColorBlast RGBA/RGBW Powercore gen4

# ColorBlast RGBA/RGBW Powercore gen4

## Photometric data



OFPC1\_BCP48436xLED-HBRGBA10

OFCS1\_BCP48436xLED-HBRGBA10

