



eW Reach Compact Powercore

eW Reach Compact Powercore, 2700 K, 5° Native (no spread lens), UL/CE

eW Reach Compact Powercore, 2700 K, 5° Native (no spread lens), UL/CE

eW Reach Compact Powercore combines all the benefits of LED-based lighting in a compact fixture specifically designed for large-scale installations where high-quality white light is required, such as in commercial skyscrapers, casinos, large retail exteriors, bridges, piers, public monuments, and themed attractions. With levels of light output and projection never before achieved in a compact LED lighting fixture, eW Reach Compact Powercore delivers intense, energy-efficient output at a reasonable price, opening up new possibilities for exterior illumination. Standard configurations include a warm 2700 K and a cool 4000 K, with six additional colour temperatures available, ranging from 3000 K to 6500 K.

Product data

| General Information | | Flammability mark | |
|-------------------------------|---|---------------------------------|--|
| Number of light sources | 52 [52 pcs] | | F [For mounting on normally flammable surfaces] |
| Lamp family code | LED-HB [LED High Brightness] | CE mark | CE mark |
| Light source colour | Warm white | UL mark | UL and cUL mark |
| Light source replaceable | No | Warranty period | 5 years |
| Driver/power unit/transformer | PSDMX [Power supply unit with DMX interface] | EU RoHS compliant | Yes |
| Driver included | Yes | WEEE mark | WEEE mark |
| Optical cover/lens type | FG [Flat glass] | Life to 70% init. flux at 25 °C | 100000 h |
| Luminaire light beam spread | 5° | Operating and Electrical | |
| Protection class IEC | Safety class I | Input Voltage | 100 to 277 V |

eW Reach Compact Powercore

| | |
|------------------------|-------------|
| Input frequency | 50 to 60 Hz |
| Control signal voltage | 1-10 V DC |

Controls and Dimming

| | |
|----------|-----|
| Dimmable | Yes |
|----------|-----|

Mechanical and Housing

| | |
|-----------------------------|--------------------|
| Housing material | Aluminium die-cast |
| Optic material | Glass |
| Optical cover/lens material | Tempered glass |
| Optical cover/lens finish | Clear |
| Colour | Aluminium |

Approval and Application

| | |
|------------------------------|---|
| Ingress protection code | IP66 [Dust penetration-protected, jet-proof] |
| Mech. impact protection code | IK07 [2 J reinforced] |

Initial Performance (IEC Compliant)

| | |
|--|-----------|
| Initial luminous flux (system flux) | 6562 lm |
| Initial luminous flux at colour temperature of 2,700 K | 6562 lm |
| Luminous flux tolerance | +/-10% |
| Initial LED luminaire efficacy | 59.8 lm/W |
| Init. Corr. Colour Temperature | 2700 K |
| Init. Colour rendering index | 80 |
| Initial input power | 125 W |
| Power consumption tolerance | +/-10% |

Over Time Performance (IEC Compliant)

| | |
|---|--------|
| Lumen Maintenance 70% at 25 °C Calculated | 100000 |
| Lumen Maintenance 70% at 50 °C Calculated | 100000 |
| Lumen Maintenance 80% at 25 °C Calculated | 100000 |
| Lumen Maintenance 80% at 50 °C Calculated | 100000 |
| Lumen Maintenance 90% at 25 °C Reported | 42300 |
| Lumen Maintenance 90% at 50 °C Reported | 42300 |

Application Conditions

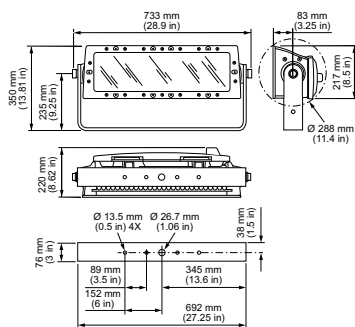
| | |
|---------------------------|---------------|
| Ambient temperature range | -40 to +50 °C |
|---------------------------|---------------|

Product Data

| | |
|-----------------------------------|---|
| Full product code | 871829139014500 |
| Order product name | DCP400 2700 CO 100-277V UL CE |
| EAN/UPC – product | 8718291390145 |
| Order code | 523-000095-12 |
| SAP numerator – quantity per pack | 1 |
| Numerator – packs per outer box | 1 |
| SAP material | 912400133469 |
| SAP net weight (piece) | 23.400 kg |
| Commercial Code | 523-000095-12 |
| Catalogue number description | eW Reach Compact Powercore, 2700 K, 5° Native (no spread lens), UL/CE |



Dimensional drawing



Reach Compact

eW Reach Compact Powercore

