



eColor Reach Compact Powercore

DCP402 AM CO 100-277V UL CE

eColor Reach Compact Powercore combines all the benefits of LED-based lighting in a compact fixture specifically designed for large-scale installations where high-quality red, green, blue, or amber light is required, such as in skyscrapers, casinos, large retail exteriors, bridges, piers, public monuments, and themed attractions. With levels of light output and light projection never before achieved in a compact LED lighting fixture, eColor Reach Compact Powercore delivers intense, energy-efficient output at a reasonable price, opening up new possibilities for exterior illumination.

Product data

General Information		Controls and Dimming	
Light source color	Amber	Dimmable	Yes
Light source replaceable	No		
Driver included	Yes	Mechanical and Housing	
Optical cover/lens type	FG [Flat glass]	Housing Material	Aluminum die-cast
Luminaire light beam spread	5°	Optic material	Glass
CE mark	CE mark	Optical cover/lens material	Tempered glass
UL mark	UL and cUL mark	Optical cover/lens shape	Flat
Warranty period	5 years	Optical cover/lens finish	Clear
FCC mark	FCC Class A	Effective projected area	0.186 m ²
Angle	5°		
Operating and Electrical		Approval and Application	
Input Voltage	100 to 277 V	Ingress protection code	IP66 [Dust penetration-protected, jet-proof]
Input Frequency	50 to 60 Hz	Mech. impact protection code	IK07 [2 J reinforced]
		Initial Performance (IEC Compliant)	
		Initial input power	130 W

eColor Reach Compact Powercore

Application Conditions

Ambient temperature range -40 to +122 °F

Product Data

Full product code 871829139023700
 Order product name DCP402 AM CO 100-277V UL CE
 EAN/UPC - Product 8718291390237
 Order code 912400133491

Local order code .

Numerator - Quantity Per Pack 1

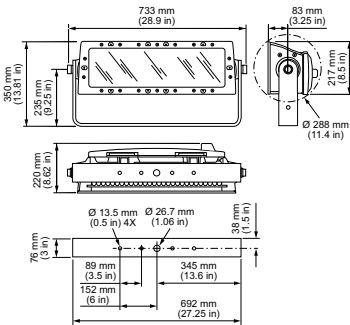
Numerator - Packs per outer box 1

Material Nr. (12NC) 912400133491

Net Weight (Piece) 23.400 kg

IP 66 IK 07

Dimensional drawing



eColor Reach Compact Powercore

