



ColorBlast RGB Powercore gen4

BCP480 36xLED-HB/RGB 100-277V 10 GR

RGB - Narrow beam angle 10° - Gray

ColorBlast RGB Powercore gen4 is the next generation of indoor and outdoor floodlighting. Ideally suited for wall washing, grazing and spot lighting, ColorBlast RGB Powercore gen4 is a high-performance fixture that provides the benefits of fully saturated colors plus quality white light. It also offers a range of field-configurable beam angles, as well as the flexibility of customization with a full range of accessories that can be used in endless configurations.

Product data

General Information	
Beam angle of light source	10 °
Light source color	RGB
Light source replaceable	No
Number of gear units	1 unit
Driver/power unit/transformer	PSDMX [Power supply unit with DMX interface]
Driver included	Yes
Optical cover/lens type	CLFT [Clear flat]
Luminaire light beam spread	10°
Protection class IEC	Safety class I (I)
CE mark	CE mark
UL mark	UL and cUL mark
Optic type outdoor	Narrow beam angle 10°
Accessory PFC	ZCP485

Operating and Electrical	
Input Voltage	100 to 277 V
Input Frequency	50 to 60 Hz
Power Factor (Nom)	0.99 @ 120 VAC, 0.93 @ 277 VAC

Controls and Dimming	
Dimmable	Yes

Mechanical and Housing	
Housing Material	Aluminum die-cast
Optic material	Glass
Optical cover/lens material	Tempered glass
Mounting device	Baseplate
Optical cover/lens shape	Flat
Optical cover/lens finish	Clear

ColorBlast RGB Powercore gen4

Approval and Application

Ingress protection code	IP66 [Dust penetration-protected, jet-proof]
Mech. impact protection code	IK10 [20 J vandal-resistant]

Initial Performance (IEC Compliant)

Initial luminous flux (system flux)	1755 lm
Initial LED luminaire efficacy	38.8 lm/W
Init. Corr. Color Temperature	2700 to 4000 K
Init. Color Rendering Index	80
Initial input power	50 W

Over Time Performance (IEC Compliant)

Lumen Maintenance 50% at 25°C Calculated	100000
Lumen Maintenance 50% at 25°C Reported	72000
Lumen Maintenance 50% at 50°C Calculated	100000
Lumen Maintenance 50% at 50°C Reported	72000
Lumen Maintenance 70% at 25°C Calculated	100000
Lumen Maintenance 70% at 25°C Reported	72000
Lumen Maintenance 70% at 50°C Calculated	100000
Lumen Maintenance 70% at 50°C Reported	72000
Lumen Maintenance 80% at 25°C Calculated	100000
Lumen Maintenance 80% at 25°C Reported	72000
Lumen Maintenance 80% at 50°C Calculated	100000

Lumen Maintenance 80% at 50°C Reported	72000
Lumen Maintenance 90% at 25°C Calculated	51400
Lumen Maintenance 90% at 25°C Reported	51400
Lumen Maintenance 90% at 50°C Calculated	51400
Lumen Maintenance 90% at 50°C Reported	51400

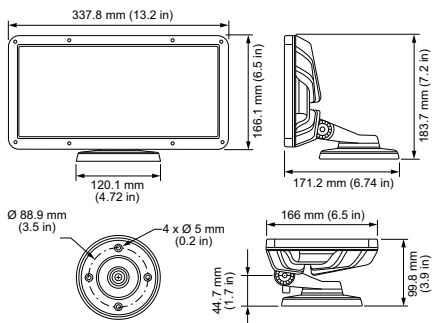
Application Conditions

Ambient temperature range	-40 to +122 °F
---------------------------	----------------

Product Data

Full product code	871829138833399
Order product name	BCP480 36xLED-HB/RGB 100-277V 10 GR
EAN/UPC - Product	8718291388333
Order code	912400133535
Local order code	.
Numerator - Quantity Per Pack	1
Numerator - Packs per outer box	2
Material Nr. (12NC)	912400133535
Net Weight (Piece)	4.146 kg

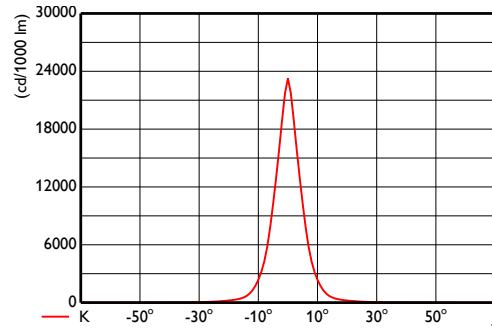
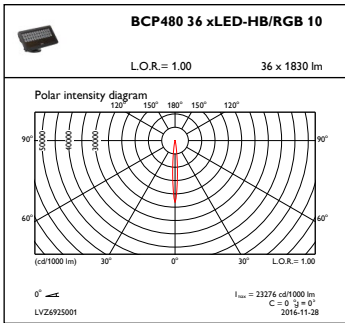
Dimensional drawing



ColorBlast RGB Powercore gen4

ColorBlast RGB Powercore gen4

Photometric data



OFPC1_BCP48036xLED-HBRGB10

OFCS1_BCP48036xLED-HBRGB10

