



ColorReach Compact Powercore RGBW/RGBA

DCP403 RGBW 100-277V UL CE

RGBW - 5° - 100 to 277 V - Black

ColorReach Compact Powercore RGBW/RGBA is a high-performance architectural floodlight that represents the next generation in exterior illumination. It is ideally suited to dynamic lighting of large-scale façades and structures. These versions combine separate 4-channel LED sources in a single fixture to increase the total number of possible color combinations, including pastels, as well as delivering improved warmer tones and higher-quality white light than conventional RGB systems. A custom-designed 6° collimator optic creates a high-quality beam without compromising on performance. Secondary accessories allow customization and beam manipulation, ensuring flexibility for even the trickiest applications.

Product data

General Information		Input Frequency	
Light source color	RGBW	Input Frequency	50 to 60 Hz
Light source replaceable	No	Controls and Dimming	
Driver included	Yes	Dimmable	No
Optical cover/lens type	GT [Tempered glass]	Mechanical and Housing	
Luminaire light beam spread	5°	Housing Material	Aluminum die-cast
CE mark	CE mark	Optic material	Polycarbonate
UL mark	UL and cUL mark	Optical cover/lens material	Tempered glass
FCC mark	FCC Class A	Optical cover/lens shape	Flat
Angle	0 to 30°	Optical cover/lens finish	Clear
Operating and Electrical			
Input Voltage	100 to 277 V		

ColorReach Compact Powercore RGBW/RGBA

Approval and Application

Ingress protection code	IP66 [Dust penetration-protected, jet-proof]
Mech. impact protection code	IK07 [2 J reinforced]

Over Time Performance (IEC Compliant)

Lumen Maintenance 70% at 25°C Calculated	100000
Lumen Maintenance 70% at 50°C Calculated	100000

Application Conditions

Ambient temperature range	-40 to +122 °F
---------------------------	----------------

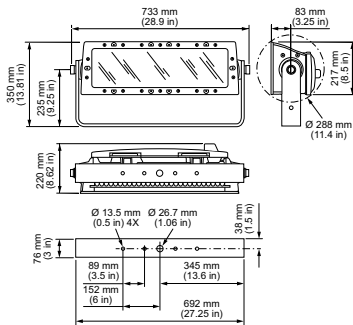
Product Data

Full product code	871829139028200
-------------------	-----------------

Order product name	DCP403 RGBW 100-277V UL CE
EAN/UPC - Product	8718291390282
Order code	912400133581
Local order code	.
Numerator - Quantity Per Pack	1
Numerator - Packs per outer box	1
Material Nr. (12NC)	912400133581
Net Weight (Piece)	23.400 kg

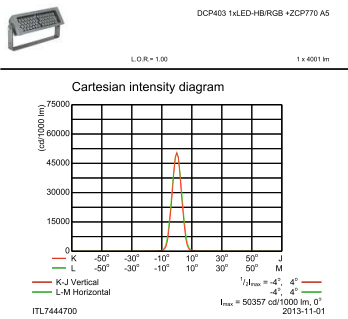


Dimensional drawing

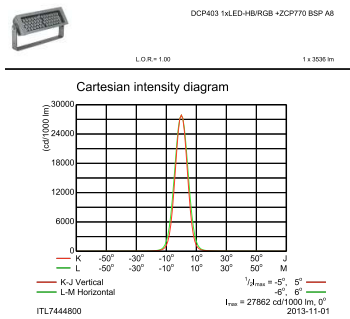


Reach Compact

Photometric data



OFCC1_DCP403 1xLED-HBRGB +ZCP770 A5.EPS



OFCC1_DCP403 1xLED-HBRGB +ZCP770 BSP A8.EPS

ColorReach Compact Powercore RGBW/RGBA

