



# Vaya Flood LP Small

BCP432 3000 100-240 20 UL HMA

Housing with medium-length arm - Medium beam angle 20°

With budgets under pressure, property owners and developers are looking, more than ever, for value for money when it comes to capital expenditures. Vaya Flood is an affordable and reliable LED solution that minimizes the initial investment, while providing exceptional flexibility to create eye-catching, dynamic and colorful lighting effects that can bring a property to life. The robust Vaya Flood offers a wide choice of mono colors with a simple on-off switch and changing colors with a standard DMX512 controller. It is also extremely easy to install and aim.

## Product data

General Information		Controls and Dimming	
Lamp family code	LED-HB [ LED High Brightness]	Dimmable	Yes
Light source color	Neutral white	<b>Mechanical and Housing</b>	
Light source replaceable	No	Housing configuration	HMA [ Housing with medium-length arm]
Driver included	Yes	Housing Material	Aluminum die-cast
Optical cover/lens type	GT [ Tempered glass]	Optic material	Glass
Luminaire light beam spread	20°	Optical cover/lens material	Tempered glass
Protection class IEC	Safety class I (I)	Optical cover/lens shape	Flat
UL mark	UL and cUL mark	Optical cover/lens finish	Clear
Optic type outdoor	Medium beam angle 20°	<b>Approval and Application</b>	
PSE mark	No	Ingress protection code	IP66 [ Dust penetration-protected, jet-proof]
FCC mark	FCC Class A	Mech. impact protection code	IK06 [ 1 J]
Angle	20°	<b>Initial Performance (IEC Compliant)</b>	
<b>Operating and Electrical</b>		Initial luminous flux (system flux)	3357 lm
Input Voltage	100 to 240 V	Initial LED luminaire efficacy	79.7 lm/W
Input Frequency	50 to 60 Hz		

## Vaya Flood LP Small

Init. Corr. Color Temperature	3000 K
Init. Color Rendering Index	82

### Over Time Performance (IEC Compliant)

Lumen Maintenance 70% at 25°C Calculated	71000
Lumen Maintenance 70% at 25°C Reported	60000
Lumen Maintenance 70% at 40°C Calculated	71000
Lumen Maintenance 70% at 40°C Reported	60000
Lumen Maintenance 80% at 25°C Calculated	45000
Lumen Maintenance 80% at 25°C Reported	45000
Lumen Maintenance 80% at 40°C Calculated	45000
Lumen Maintenance 80% at 40°C Reported	45000
Lumen Maintenance 90% at 25°C Calculated	23000
Lumen Maintenance 90% at 25°C Reported	23000
Lumen Maintenance 90% at 40°C Calculated	23000
Lumen Maintenance 90% at 40°C Reported	23000

### Application Conditions

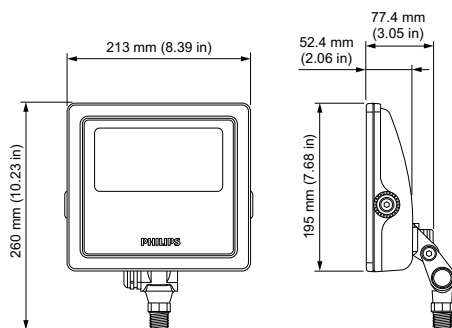
Ambient temperature range	-40 to +104 °F
---------------------------	----------------

### Product Data

Full product code	871829164761499
Order product name	BCP432 3000 100-240 20 UL HMA
EAN/UPC - Product	8718291647614
Order code	912400133931
Local order code	.
Numerator - Quantity Per Pack	1
Numerator - Packs per outer box	4
Material Nr. (12NC)	912400133931
Net Weight (Piece)	2.500 kg

IK06

### Dimensional drawing



Vaya

