



eW Graze MX Powercore

eW Graze MX Powercore, 3000 K, 60° x 30° Beam Angle, 305 mm (1 ft)

eW Graze MX Powercore, 3000 K, 60° x 30° Beam Angle, 305 mm (1 ft)

Many architectural structures need a linear fixture capable of illuminating multiple storeys with minimal setback. Property owners/end users need a controllable product capable of dynamic illumination to draw attention to their establishments and emphasise their brands. Graze MX Powercore is capable of illuminating over 20 meters at very close setback distances. Powercore technology enables simple installation and long product run lengths.

Product data

General information		Input frequency	
Lamp family code	LED-HB [LED High Brightness]	50 to 60 Hz	
Light source colour	White	Controls and dimming	
Light source replaceable	No	Dimmable	Yes
Luminaire light beam spread	60° x 30°	Mechanical and housing	
Protection class IEC	Safety class I	Housing material	Extruded aluminium
CE mark	CE mark	Optical cover/lens material	Polycarbonate
UL mark	UL and cUL mark	Length	305 mm
Lifetime to 50% luminous flux	60000 h	Approval and application	
Lifetime to 70% luminous flux	60000 h	Ingress protection code	IP66 [Dust penetration-protected, jet-proof]
Operating and electrical			
Input Voltage	100 to 277 V		

eW Graze MX Powercore

Mech. impact protection code	IK10 [20 J vandal-resistant]
Vibration standard	Complies with ANSI C136.31, 3G
FCC mark	FCC Class A
Vibration rating	Complies with ANSI C136.31, 3G

Initial performance (IEC compliant)

Init. Corr. Colour Temperature	3000 K
Initial input power	15 W

Over time performance (IEC compliant)

Lumen Maintenance 50% at 25 °C Reported	60000
Lumen Maintenance 50% at 50 °C Reported	60000
Lumen Maintenance 70% at 25 °C Reported	60000
Lumen Maintenance 70% at 50 °C Reported	60000

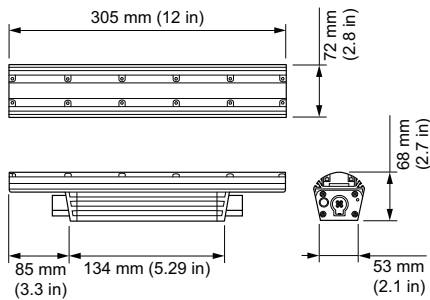
Application conditions

Ambient temperature range	-20 to +50 °C
---------------------------	---------------

Product data	
Full product code	871829139463199
Order product name	BCS419 60x30-3000 L305
EAN/UPC – product	8718291394631
Order code	523-000080-64
SAP numerator – quantity per pack	1
Numerator – packs per outer box	4
SAP material	912400135117
Net Weight (Piece)	1.200 kg
Commercial Code	523-000080-64
Catalogue number description	eW Graze MX Powercore, 3000 K, 60° x 30° Beam Angle, 305 mm (1 ft)



Dimensional drawing



BCS419 60x30-3000 L305

