



eW Graze MX Powercore

eW Graze MX Powercore, 3000 K, 30° x 60° Beam Angle, 914 mm (3 ft)

eW Graze MX Powercore, 3000 K, 30° x 60° Beam Angle, 914 mm (3 ft)

Many architectural structures need a linear fixture capable of illuminating multiple storeys with minimal setback. Property owners/end users need a controllable product capable of dynamic illumination to draw attention to their establishments and emphasise their brands. Graze MX Powercore is capable of illuminating over 20 meters at very close setback distances. Powercore technology enables simple installation and long product run lengths.

Product data

General information		Operating and electrical	
Lamp family code	LED-HB [LED High Brightness]	Input Voltage	100 to 277 V
Light source colour	White	Input frequency	50 to 60 Hz
Light source replaceable	No	Controls and dimming	
Driver included	Yes	Dimmable	Yes
Luminaire light beam spread	30° x 60°	Mechanical and housing	
Protection class IEC	Safety class I	Housing material	Extruded aluminium
CE mark	CE mark	Optical cover/lens material	Polycarbonate
UL mark	UL and cUL mark	Length	914 mm
Lifetime to 50% luminous flux	60000 h		
Lifetime to 70% luminous flux	60000 h		

eW Graze MX Powercore

Approval and application	
Ingress protection code	IP66 [Dust penetration-protected, jet-proof]
Mech. impact protection code	IK10 [20 J vandal-resistant]
Vibration standard	Not compliant to ANSI C136.31, 3G. Special orders are available to conform to the standard. Please contact your Color Kinetics Lighting Sales rep for custom configurations.
Vibration rating	Not compliant to ANSI C136.31, 3G. Special orders are available to conform to the standard. Please contact your Color Kinetics Lighting Sales rep for custom configurations.

Initial performance (IEC compliant)	
Init. Corr. Colour Temperature	3000 K
Initial input power	42 W

Over time performance (IEC compliant)	
Lumen Maintenance 50% at 25 °C	60000
Reported	
Lumen Maintenance 50% at 50 °C	60000
Reported	
Lumen Maintenance 70% at 25 °C	60000
Reported	

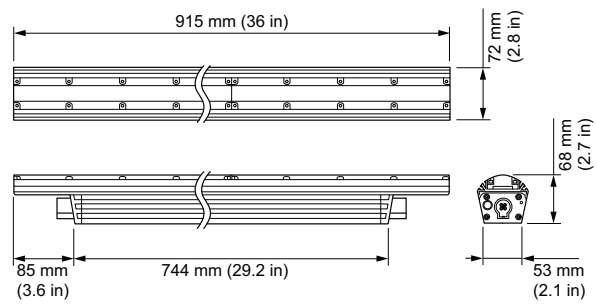
Lumen Maintenance 70% at 50 °C	60000
Reported	

Application conditions	
Ambient temperature range	-20 to +50 °C

Product data	
Full product code	871829139582900
Order product name	BCS419 30x60-3000 L914
EAN/UPC – product	8718291395829
Order code	523-000080-73
SAP numerator – quantity per pack	1
Numerator – packs per outer box	1
SAP material	912400135126
Net Weight (Piece)	3.800 kg
Commercial Code	523-000080-73
Catalogue number description	eW Graze MX Powercore, 3000 K, 30° x 60° Beam Angle, 914 mm (3 ft)



Dimensional drawing



BCS419 30x60-3000 L914

