



eW Graze QLX Powercore

BCS427 60x30-3500 L305

eW Graze QLX Powercore, 3500 K, 60° x 30° Beam Angle, 305 mm (1 ft)

Many architectural structures need a linear fixture capable of illuminating several storeys with minimal setback and reduced power consumption. Property owners/end users need a controllable product capable of dynamic illumination to draw attention to their establishments and emphasise their brands. Graze QLX Powercore is capable of illuminating over 10 metres at very close setback distances. Powercore technology enables simple installation and long product run lengths.

Product data

General Information	
Lamp family code	LED-HB [LED High Brightness]
Light source colour	White
Light source replaceable	No
Driver included	Yes
Optical cover/lens type	PCC [Polycarbonate bowl/cover clear]
Luminaire light beam spread	60° x 30°
Protection class IEC	Safety class I
CE mark	CE mark
UL mark	UL and cUL mark
Lifetime to 70% luminous flux	100000 h
Operating and Electrical	
Input Voltage	100 to 277 V
Input frequency	50 to 60 Hz
Controls and Dimming	
Dimmable	Yes
Mechanical and Housing	
Housing material	Extruded aluminium
Optical cover/lens material	Polycarbonate
Length	305 mm
Colour	Aluminium
Approval and Application	
Ingress protection code	IP66 [Dust penetration-protected, jet-proof]
Mech. impact protection code	IK10 [20 J vandal-resistant]

eW Graze QLX Powercore

Vibration standard	Complies with ANSI C136.31, 3G
Vibration rating	Complies with ANSI C136.31, 3G

Initial Performance (IEC Compliant)

Init. Corr. Colour Temperature	3500 K
Initial input power	10 W

Over Time Performance (IEC Compliant)

Lumen Maintenance 50% at 25 °C	60000
Reported	
Lumen Maintenance 50% at 50 °C	60000
Reported	
Lumen Maintenance 70% at 25 °C	60000
Reported	
Lumen Maintenance 70% at 50 °C	60000
Reported	

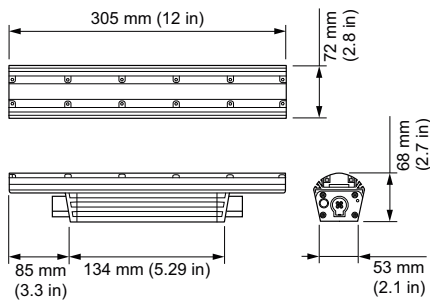
Application Conditions

Ambient temperature range	-40 to +50 °C
---------------------------	---------------

Product Data	
Full product code	871869921060199
Order product name	BCS427 60x30-3500 L305
EAN/UPC – product	8718699210601
Order code	523-000081-84
SAP numerator – quantity per pack	1
Numerator – packs per outer box	4
SAP material	912400135290
SAP net weight (piece)	1.200 kg
Commercial Code	523-000081-84
Catalogue number description	eW Graze QLX Powercore, 3500 K, 60° x 30° Beam Angle, 305 mm (1 ft)



Dimensional drawing



BCS427 60x30-3500 L305

