



eW Graze EC Powercore

BCS428 3000 WB L609

eW Graze EC Powercore, 3000 K, 90° x 90° Beam Angle, 610 mm (2 ft)

Some exterior architectural details require a soft-edged volume fill of light. Graze EC Powercore combines this output with the proven, durable design of the Graze Powercore product family and low power consumption.

Product data

General Information	
Lamp family code	LED-HB [LED High Brightness]
Light source colour	White
Light source replaceable	No
Optical cover/lens type	PCF [Polycarbonate bowl/cover frosted]
Luminaire light beam spread	90° x 90°
Protection class IEC	Safety class I (I)
CE mark	CE mark
UL mark	UL and cUL mark
Lifetime to 70% luminous flux	36000 h
Operating and Electrical	
Input Voltage	100 to 277 V
Input frequency	50 to 60 Hz
Controls and Dimming	
Dimmable	Yes

Mechanical and Housing	
Housing material	Aluminum extruded
Optic material	Polycarbonate
Optical cover/lens material	Polycarbonate
Length	609 mm
Colour	Aluminum
Approval and Application	
Ingress protection code	IP66 [Dust penetration-protected, jet-proof]
Mech. impact protection code	IK10 [20 J vandal-resistant]
Vibration standard	Complies with ANSI C136.31, 3G
Vibration rating	Complies with ANSI C136.31, 3G
Initial Performance (IEC Compliant)	
Init. Corr. Colour Temperature	3000 K
Init. Colour rendering index	93

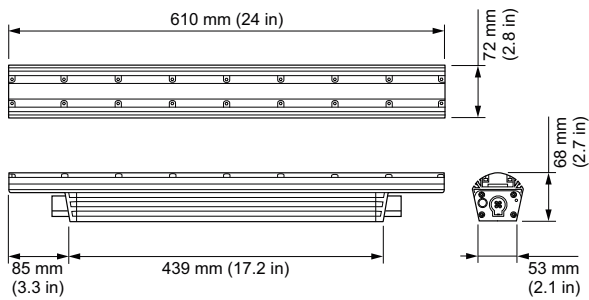
eW Graze EC Powercore

Initial input power	10 W
Over Time Performance (IEC Compliant)	
Lumen Maintenance 50% at 25 °C	36000
Reported	
Lumen Maintenance 50% at 50 °C	36000
Reported	
Lumen Maintenance 70% at 25 °C	36000
Reported	
Lumen Maintenance 70% at 50 °C	36000
Reported	
Application Conditions	
Ambient temperature range	-40 to +50 °C

Product Data	
Full product code	871869921006999
Order product name	BCS428 3000 WB L609
EAN/UPC – product	8718699210069
Order code	523-000082-14
SAP numerator – quantity per pack	1
Numerator – packs per outer box	4
SAP material	912400135329
SAP net weight (piece)	2.700 kg
Commercial Code	523-000082-14
Catalogue number description	eW Graze EC Powercore, 3000 K, 90° x 90° Beam Angle, 610 mm (2 ft)



Dimensional drawing



BCS428 3000 WB L609

