



eW Blast Powercore gen4

BCP481 36xLED-HB/3500K 100-277V WH

3500 K - Narrow beam angle 6° - White

eW Blast Powercore gen4 high-performance LED luminaires provide a high-intensity wash of white light with simplified installation. eW Blast Powercore gen4 offers a range of accessories that allow for customizable beam angles for floodlighting, spotlighting, wall washing, and grazing, along with the efficiency and cost-effectiveness of Powercore technology in a rugged die-cast aluminum housing.

Product data

General Information		Accessory PFC	
Lamp family code	LED-HB [LED High Brightness]		ZCP485
Light source color	White	Operating and Electrical	
Light source replaceable	No	Input Voltage	100 to 277 V
Driver/power unit/transformer	PSDMX [Power supply unit with DMX interface]	Input Frequency	50 to 60 Hz
Optical cover/lens type	CLFT [Clear flat]	Power Factor (Nom)	0.9 @ 120 VAC, 0.85 @ 277 VAC
Luminaire light beam spread	6°	Controls and Dimming	
Protection class IEC	Safety class I (I)	Dimmable	Yes
CE mark	CE mark	Mechanical and Housing	
UL mark	UL and cUL mark	Housing Material	Aluminum die-cast
Lifetime to 50% luminous flux	100000 h	Optic material	Glass
Lifetime to 70% luminous flux	84000 h	Optical cover/lens material	Tempered glass
Lifetime to 90% luminous flux	28000 h	Mounting device	Baseplate
Optic type outdoor	Narrow beam angle 6°	Optical cover/lens shape	Flat
FCC mark	FCC Class B		
Constant light output	Yes		

eW Blast Powercore gen4

Optical cover/lens finish	Clear
Approval and Application	
Ingress protection code	IP66 [Dust penetration-protected, jet-proof]
Mech. impact protection code	IK10 [20 J vandal-resistant]
Initial Performance (IEC Compliant)	
Init. Corr. Color Temperature	3500 K
Init. Color Rendering Index	Not applicable
Initial input power	50 W
Over Time Performance (IEC Compliant)	
Lumen Maintenance 50% at 25°C Calculated	100000
Lumen Maintenance 50% at 25°C Reported	51000
Lumen Maintenance 50% at 50°C Calculated	100000
Lumen Maintenance 50% at 50°C Reported	51000
Lumen Maintenance 70% at 25°C Calculated	84000
Lumen Maintenance 70% at 25°C Reported	51000
Lumen Maintenance 70% at 50°C Calculated	83000
Lumen Maintenance 70% at 50°C Reported	51000
Lumen Maintenance 90% at 25°C Calculated	28000

Lumen Maintenance 90% at 25°C Reported	28000
Lumen Maintenance 90% at 50°C Calculated	27000
Lumen Maintenance 90% at 50°C Reported	28000

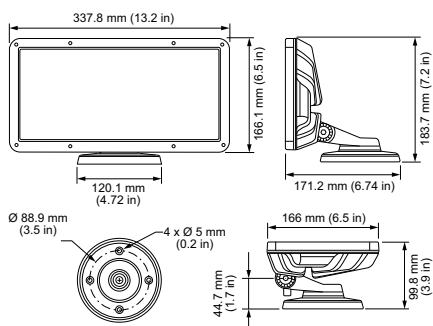
Application Conditions

Ambient temperature range	-40 to +122 °F
---------------------------	----------------

Product Data

Full product code	871829139514099
Order product name	BCP481 36xLED-HB/3500K 100-277V WH
EAN/UPC - Product	8718291395140
Order code	912400135503
Local order code	.
Numerator - Quantity Per Pack	1
Numerator - Packs per outer box	2
Material Nr. (12NC)	912400135503
Net Weight (Piece)	4.146 kg

Dimensional drawing



eW Blast Powercore gen4

