



# ColorGraze IntelliHue Powercore

**ColorGraze IntelliHue Powercore, 100 to 277 VAC, 60° x 30°, 610 mm (2 ft)**

ColorGraze IntelliHue Powercore, 100 to 277 VAC, 60° x 30°, 610 mm (2 ft)

Graze is a high-performance, exterior linear luminaire designed to highlight architectural features ranging from surface textures and moulding details to archways and windows. Graze IntelliHue utilises Color Kinetics IntelliHue technology to produce millions of saturated colours, pastels and high-quality white light, in the same precisely controllable luminaire. Multiple fixture lengths and beam angles support a large range of façade or surface illumination applications. Low-profile housing, connectorised cabling, a universal power input range and direct line voltage operation make Graze luminaires easy to install and operate.

## Product data

General information	
Lamp family code	LED-HB [ LED High Brightness]
Light source colour	IntelliHue
Light source replaceable	No
Driver included	Yes
Optical cover/lens type	PC-UV [ Polycarbonate bowl/cover UV-resistant]
CE mark	CE mark
UL mark	UL and cUL mark

Light technical	
Efficacy (lm/W) @ 4,000 K	44.6 lm/W
Efficacy (lm/W) @ 2,700 K	47 lm/W
CRI @ 4,000 K	81.4
CRI @ 2,700	87.1

Operating and electrical	
Input Voltage	100 to 277 V
Input frequency	50 to 60 Hz

# ColorGraze IntelliHue Powercore

## Controls and dimming

Dimmable	Yes
----------	-----

## Mechanical and housing

Housing material	Aluminum extruded
Optic material	Polycarbonate
Optical cover/lens material	Polycarbonate
Length	610 mm
Colour	Aluminum

## Approval and application

Ingress protection code	IP66 [ Dust penetration-protected, jet-proof]
Energy Efficiency Class	G
Mech. impact protection code	IK10 [ 20 J vandal-resistant]
Vibration standard	Complies with ANSI C136.31, 3G
FCC mark	FCC Class A
Vibration rating	Complies with ANSI C136.31, 3G 887745

## Initial performance (IEC compliant)

Initial luminous flux (system flux)	1384 lm
Initial luminous flux at colour temperature of 2,700 K	866 lm
Initial luminous flux at colour temperature of 4,000 K	1042 lm
Initial LED luminaire efficacy	38.7 lm/W
Initial input power	36 W

## Over time performance (IEC compliant)

Lumen Maintenance 50% at 25 °C Reported	75000
Lumen Maintenance 50% at 50 °C Reported	70000
Lumen Maintenance 70% at 25 °C Calculated	100000
Lumen Maintenance 70% at 25 °C Reported	70000
Lumen Maintenance 70% at 50 °C Calculated	100000
Lumen Maintenance 70% at 50 °C Reported	65000

## Application conditions

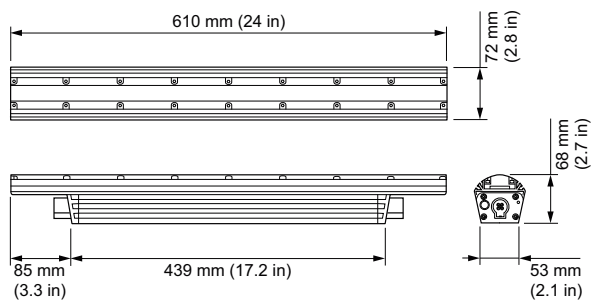
Ambient temperature range	-40 to +50 °C
---------------------------	---------------

## Product data

Full product code	871869921254499
Order product name	BCS559 60x30 RGBMW L609
EAN/UPC – product	8718699212544
Order code	423-000016-09
SAP numerator – quantity per pack	1
Numerator – packs per outer box	4
SAP material	912400135884
Net Weight (Piece)	2.700 kg
Commercial Code	423-000016-09
Catalogue number description	ColorGraze IntelliHue Powercore, 100 to 277 VAC, 60° x 30°, 610 mm (2 ft)



## Dimensional drawing



BCS559 60x30 RGBMW L609

## ColorGraze IntelliHue Powercore

