



ColorGraze IntelliHue Powercore

ColorGraze IntelliHue Powercore, 100 to 277 VAC, 15° x 30°, 914 mm (3 ft)

ColorGraze IntelliHue Powercore, 100 to 277 VAC, 15° x 30°, 914 mm (3 ft)

Graze is a high-performance, exterior linear luminaire designed to highlight architectural features ranging from surface textures and moulding details to archways and windows. Graze IntelliHue utilises Color Kinetics IntelliHue technology to produce millions of saturated colours, pastels and high-quality white light, in the same precisely controllable luminaire. Multiple fixture lengths and beam angles support a large range of façade or surface illumination applications. Low-profile housing, connectorised cabling, a universal power input range and direct line voltage operation make Graze luminaires easy to install and operate.

Product data

General information	
Lamp family code	LED-HB [LED High Brightness]
Light source colour	IntelliHue
Light source replaceable	No
Driver included	Yes
Optical cover/lens type	PC-UV [Polycarbonate bowl/cover UV-resistant]
CE mark	CE mark
UL mark	UL and cUL mark

Light technical	
Efficacy (lm/W) @ 4,000 K	45.5 lm/W
Efficacy (lm/W) @ 2,700 K	47.7 lm/W
CRI @ 4,000 K	81.9
CRI @ 2,700	87.7

Operating and electrical	
Input Voltage	100 to 277 V
Input frequency	50 to 60 Hz

ColorGraz e IntelliHue Powercore

Controls and dimming	
Dimmable	Yes
Mechanical and housing	
Housing material	Aluminum extruded
Optic material	Polycarbonate
Optical cover/lens material	Polycarbonate
Length	914 mm
Colour	Aluminum
Approval and application	
Ingress protection code	IP66 [Dust penetration-protected, jet-proof]
Energy Efficiency Class	G
Mech. impact protection code	IK10 [20 J vandal-resistant]
Vibration standard	Not compliant to ANSI C136.31, 3G. Special orders are available to conform to the standard. Please contact your Color Kinetics Lighting Sales rep for custom configurations.
FCC mark	FCC Class A
Vibration rating	Not compliant to ANSI C136.31, 3G. Special orders are available to conform to the standard. Please contact your Color Kinetics Lighting Sales rep for custom configurations.
	887748
Initial performance (IEC compliant)	
Initial luminous flux (system flux)	2061 lm
Initial luminous flux at colour temperature of 2,700 K	1326 lm
Initial luminous flux at colour temperature of 4,000 K	1602 lm
Initial LED luminaire efficacy	38.5 lm/W
Initial input power	54 W

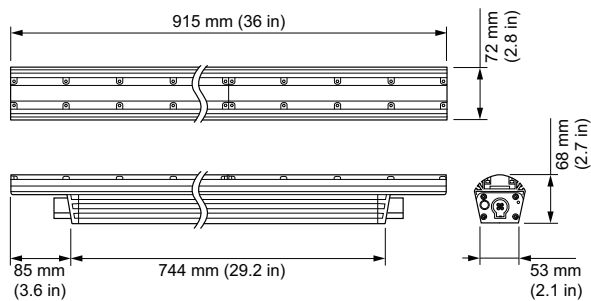
Over time performance (IEC compliant)	
Lumen Maintenance 50% at 25 °C	75000
Reported	
Lumen Maintenance 50% at 50 °C	70000
Reported	
Lumen Maintenance 70% at 25 °C	100000
Calculated	
Lumen Maintenance 70% at 25 °C	70000
Reported	
Lumen Maintenance 70% at 50 °C	100000
Calculated	
Lumen Maintenance 70% at 50 °C	65000
Reported	

Application conditions	
Ambient temperature range	-40 to +50 °C

Product data	
Full product code	871869921267400
Order product name	BCS559 15x30 RGBMW L914
EAN/UPC – product	8718699212674
Order code	423-000016-12
SAP numerator – quantity per pack	1
Numerator – packs per outer box	1
SAP material	912400135887
Net Weight (Piece)	3.800 kg
Commercial Code	423-000016-12
Catalogue number description	ColorGraz e IntelliHue Powercore, 100 to 277 VAC, 15° x 30°, 914 mm (3 ft)



Dimensional drawing



BCS559 15x30 RGBMW L914

ColorGraze IntelliHue Powercore

