



ColorBlast RGBW/RGBW Powercore gen4

BCP484 36xLED-HB/RGBW FTA 100-277V GY

ColorBlast RGBW/RGBW Powercore gen4 is the next generation of indoor and outdoor floodlighting. Ideally suited for wall washing, grazing and spotlighting, ColorBlast Powercore RGBW gen4 is a high-performance fixture that provides the benefits of fully saturated colors plus amber. All four channels used together expand the available range of colors to include orange and warmer tones. ColorBlast Powercore RGBW gen4 is best suited for pastels, saturated red, and producing white and color light in the same fixture. ColorBlast RGBW/RGBW Powercore gen4 also offers a range of field-configurable beam angles, as well as the flexibility of customization with a full range of accessories that can be used in endless configurations.

Product data

General Information		Optical cover/lens material	Tempered glass
Light source color	Red, green, blue and white (RGBW)	Over Time Performance (IEC Compliant)	
Driver/power unit/transformer	PSDMX [Power supply unit with DMX interface]	Lumen Maintenance 50% at 25°C Calculated	90300
Driver included	Yes	Lumen Maintenance 50% at 25°C Reported	54000
CE mark	CE mark	Lumen Maintenance 50% at 50°C Calculated	90300
UL mark	UL and cUL mark	Lumen Maintenance 50% at 50°C Reported	54000
Constant light output	No	Lumen Maintenance 70% at 25°C Calculated	46100
Operating and Electrical		Lumen Maintenance 70% at 25°C Reported	46100
Input Voltage	100 to 277 V	Lumen Maintenance 70% at 50°C Calculated	46100
Controls and Dimming		Lumen Maintenance 70% at 50°C Reported	46100
Dimmable	Yes	Lumen Maintenance 80% at 25°C Calculated	28600
Mechanical and Housing		Lumen Maintenance 80% at 25°C Reported	28600
Housing Material	Aluminum die-cast	Lumen Maintenance 80% at 50°C Calculated	28600
		Lumen Maintenance 80% at 50°C Reported	28600
		Lumen Maintenance 90% at 25°C Calculated	13100

ColorBlast RGBA/RGBW Powercore gen4

Lumen Maintenance 90% at 25°C Reported	13100
Lumen Maintenance 90% at 50°C Calculated	13100
Lumen Maintenance 90% at 50°C Reported	13100

Application Conditions

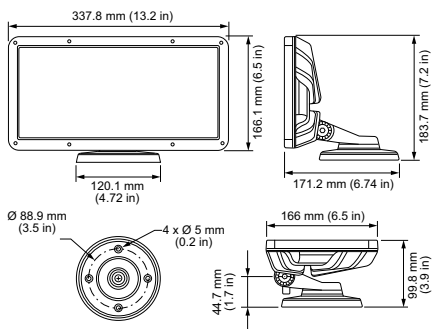
Ambient temperature range	-40 to +122 °F
---------------------------	----------------

Product Data

Order product name	BCP484 36xLED-HB/RGBW FTA 100-277V GY
--------------------	---------------------------------------

EAN/UPC - Product	8718699217471
Order code	912400136064
Local order code	.
Numerator - Quantity Per Pack	1
Numerator - Packs per outer box	2
Material Nr. (12NC)	912400136064
Net Weight (Piece)	4.146 kg

Dimensional drawing



ColorBlast FTA

