



ColorBlast RGBW/RGBW Powercore gen4

BCP484 36xLED-HB/RGBA FTA 100-277V BK

ColorBlast RGBW/RGBW Powercore gen4 is the next generation of indoor and outdoor floodlighting. Ideally suited for wall washing, grazing and spotlighting, ColorBlast Powercore RGBW gen4 is a high-performance fixture that provides the benefits of fully saturated colors plus amber. All four channels used together expand the available range of colors to include orange and warmer tones. ColorBlast Powercore RGBW gen4 is best suited for pastels, saturated red, and producing white and color light in the same fixture. ColorBlast RGBW/RGBW Powercore gen4 also offers a range of field-configurable beam angles, as well as the flexibility of customization with a full range of accessories that can be used in endless configurations.

Product data

General Information	
Light source color	Red, green, blue and amber (RGBA)
Driver/power unit/transformer	PSDMX [Power supply unit with DMX interface]
Driver included	Yes
CE mark	CE mark
UL mark	UL and cUL mark
Constant light output	No
Operating and Electrical	
Input Voltage	100 to 277 V
Controls and Dimming	
Dimmable	Yes
Mechanical and Housing	
Housing Material	Aluminum die-cast

Optical cover/lens material	Tempered glass
Over Time Performance (IEC Compliant)	
Lumen Maintenance 50% at 25°C Calculated	100000
Lumen Maintenance 50% at 25°C Reported	54000
Lumen Maintenance 50% at 50°C Calculated	100000
Lumen Maintenance 50% at 50°C Reported	54000
Lumen Maintenance 70% at 25°C Calculated	63300
Lumen Maintenance 70% at 25°C Reported	54000
Lumen Maintenance 70% at 50°C Calculated	63300
Lumen Maintenance 70% at 50°C Reported	54000
Lumen Maintenance 80% at 25°C Calculated	35700
Lumen Maintenance 80% at 25°C Reported	35700
Lumen Maintenance 80% at 50°C Calculated	35700
Lumen Maintenance 80% at 50°C Reported	35700
Lumen Maintenance 90% at 25°C Calculated	11300

ColorBlast RGBA/RGBW Powercore gen4

Lumen Maintenance 90% at 25°C Reported	11300
Lumen Maintenance 90% at 50°C Calculated	11300
Lumen Maintenance 90% at 50°C Reported	11300

Application Conditions

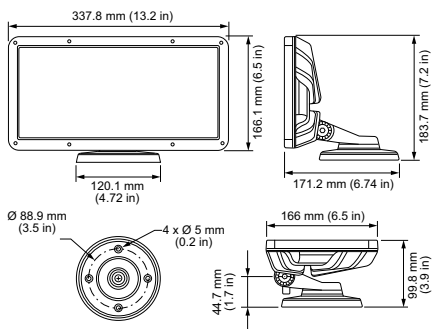
Ambient temperature range	-40 to +122 °F
---------------------------	----------------

Product Data

Order product name	BCP484 36xLED-HB/RGBA FTA 100-277V BK
--------------------	---------------------------------------

EAN/UPC - Product	8718699217495
Order code	912400136066
Local order code	.
Numerator - Quantity Per Pack	1
Numerator - Packs per outer box	2
Material Nr. (12NC)	912400136066
Net Weight (Piece)	4.146 kg

Dimensional drawing



ColorBlast FTA

