



# ColorBlast Powercore gen4, RGBA OptiField



## ColorBlast Powercore gen4, OptiField, RGBA, Black Housing

ColorBlast Powercore gen4, OptiField, RGBA, Black Housing

ColorBlast Powercore gen4, RGBA OptiField boosts output and flexibility to meet the most demanding color lighting applications. Get high output, greater efficacy, precise color, remote monitoring, and more—all in a compact, reliable flood that's easy to customize and install. ColorBlast Powercore gen4, RGBA OptiField adds a separate amber LED which expands the available range of colors to include warmer tones such as rich gold, yellow, and orange shades. OptiField technology delivers extremely uniform (5:1) illuminance, providing smooth, even light and subtle shading—without hotspots or banding.

### Product data

General information		Operating and electrical	
Light source color	RGBA	Input Voltage	100 to 277 V
Driver/power unit/transformer	Power supply unit with DMX interface	Controls and dimming	
Driver included	Yes	Dimmable	Yes
CE mark	CE mark	Mechanical and housing	
UL mark	UL and cUL mark	Housing Material	Aluminum die cast
Constant light output	No	Optical cover/lens material	Tempered glass
Light technical		Color	Black
Target area uniformity	3.9:1	Approval and application	
		Energy Efficiency Class	G

# ColorBlast Powercore gen4, RGBA OptiField

Vibration Standard	Complies with ANSI C136.31, 3G
Corrosion Resistance	Complies with ASTM B117 standard for > 1,500 hours
FCC mark	FCC Class A
Vibration Rating	Complies with ANSI C136.31, 3G
EPREL Registration Number	887790

## Initial performance (IEC compliant)

Initial input power	50 W
---------------------	------

## Over time performance (IEC compliant)

Lumen Maintenance 50% at 25°C Calculated	100000
Lumen Maintenance 50% at 25°C Reported	54000
Lumen Maintenance 50% at 50°C Calculated	100000
Lumen Maintenance 50% at 50°C Reported	54000
Lumen Maintenance 70% at 25°C Calculated	63300
Lumen Maintenance 70% at 25°C Reported	54000
Lumen Maintenance 70% at 50°C Calculated	63300
Lumen Maintenance 70% at 50°C Reported	54000
Lumen Maintenance 80% at 25°C Calculated	35700
Lumen Maintenance 80% at 25°C Reported	35700
Lumen Maintenance 80% at 50°C Calculated	35700
Lumen Maintenance 80% at 50°C Reported	35700

Lumen Maintenance 90% at 25°C Calculated	11300
Lumen Maintenance 90% at 25°C Reported	11300
Lumen Maintenance 90% at 50°C Calculated	11300
Lumen Maintenance 90% at 50°C Reported	11300

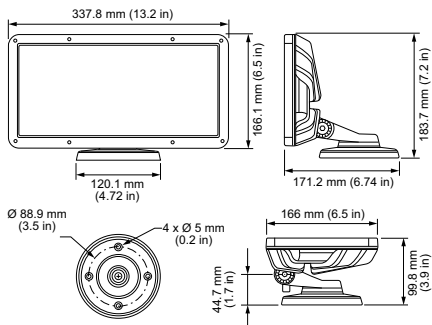
## Application conditions

Ambient temperature range	-40 to +50 °C
---------------------------	---------------

## Product data

Full product code	871869921749599
Order product name	BCP484 36xLED-HB/RGBA FTA 100-277V BK
EAN/UPC - Product	8718699217495
Order code	423-000019-01
Numerator - Quantity Per Pack	1
Numerator - Packs per outer box	2
Material Nr. (12NC)	912400136066
Net Weight (Piece)	4.146 kg
Catalog Number	423-000019-01
Catalog Number Description	ColorBlast Powercore gen4, OptiField, RGBA, Black Housing

## Dimensional drawing



BCP484 36xLED-HB/RGBA FTA 100-277V BK

