



FlexElite RGBW

FlexElite iColor, RGBW, 10 Nodes, White Node/ Cable, 1 m (3.3 ft) On-Center Node Spacing

FlexElite iColor, RGBW, 10 Nodes, White Node/Cable, 1 m (3.3 ft)
On-Center Node Spacing

FlexElite is the brightest and most flexible member of our popular Flex family. It includes a from-the-ground-up redesign of all major elements, from its form factor to internal electronics to mechanical design. We created FlexElite to meet the challenges posed by large, unconventional buildings and structures. At its core, you'll find an innovative modular design that lets you create the exact number and configuration of nodes that you need for your design. FlexElite's sections and jumper cables click together quickly and easily, allowing unequalled customization impossible with less-modular solutions. Longer run lengths and node spacing let you take on larger challenges than possible in the past. FlexElite RGBW adds a separate white LED creating better-quality whites compared to RGB.

Product data

General information		Operating and electrical	
Light source color	Red, green, blue and white	On-axis intensity in candela	42
Light source replaceable	No	Luminance per node	89939
Optic type	Beam angle 120°	Mechanical and housing	
Optical cover/lens type	Tempered glass	Housing Material	Polybutylene terephthalate
Luminaire light beam spread	140°	Optical cover/lens material	Tempered glass
CE mark	CE mark	Color	White
UL mark	UL and cUL mark		
Optic type outdoor	Very wide beam angle 120°		
Light technical			
Light source flux per node	111 lm		

FlexElite RGBW

Approval and application

Ingress protection code	IP66 [Dust penetration-protected, jet-proof]
Mech. impact protection code	IK06 [1 J]
Vibration Standard	Complies with ANSI C136.31, 3G
Corrosion Resistance	Complies with ASTM B117 standard for > 1,500 hours
FCC mark	FCC Class A
Vibration Rating	Complies with ANSI C136.31, 3G

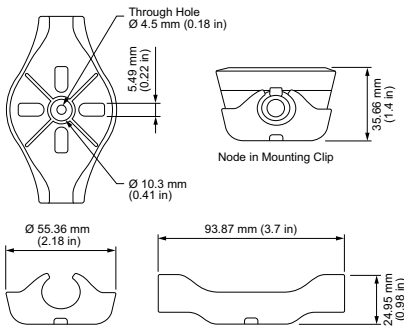
Initial performance (IEC compliant)

Initial luminous flux (system flux)	111 lm
Initial luminous flux at color temperature of 2700 K	117 lm
Initial luminous flux at color temperature of 4000 K	115 lm
Initial LED luminaire efficacy	44.4 lm/W
Initial input power	2.5 W

Over time performance (IEC compliant)

Lumen Maintenance 50% at 25°C Calculated	100000
Lumen Maintenance 50% at 25°C Reported	42000
Lumen Maintenance 50% at 50°C Calculated	100000
Lumen Maintenance 50% at 50°C Reported	42000
Lumen Maintenance 70% at 25°C Calculated	100000
Lumen Maintenance 70% at 25°C Reported	42000
Lumen Maintenance 70% at 50°C Calculated	100000
Lumen Maintenance 70% at 50°C Reported	42000
Lumen Maintenance 80% at 25°C Calculated	100000

Dimensional drawing



BGC496 RGBW RRGGBBWI 10 WH P1000

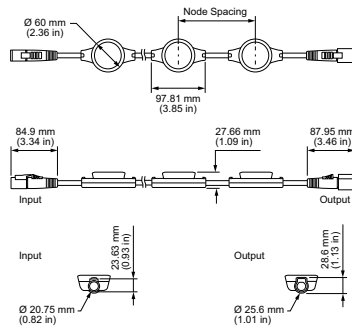
Lumen Maintenance 80% at 25°C Reported	42000
Lumen Maintenance 80% at 50°C Calculated	80740
Lumen Maintenance 80% at 50°C Reported	42000
Lumen Maintenance 90% at 25°C Calculated	44802
Lumen Maintenance 90% at 25°C Reported	42000
Lumen Maintenance 90% at 50°C Calculated	35439
Lumen Maintenance 90% at 50°C Reported	35439

Application conditions

Ambient temperature range	-40 to +50 °C
---------------------------	---------------

Product data

Full product code	871869937574499
Order product name	BGC496 RGBW RRGGBBWI 10 WH P1000
EAN/UPC - Product	8718699375744
Order code	401-000002-31
Numerator - Quantity Per Pack	1
Numerator - Packs per outer box	3
Material Nr. (12NC)	912400136324
Net Weight (Piece)	2.300 kg
Catalog Number	401-000002-31
Catalog Number Description	FlexElite iColor, RGBW, 10 Nodes, White Node/Cable, 1 m (3.3 ft) On-Center Node Spacing



BGC496 RGBW RRGGBBWI 10 WH P1000

FlexElite RGBW

