



FlexElite IntelliHue

FlexElite IntelliHue, 10 Nodes, White Node/Cable, 305 mm (12 in) On-Center Node Spacing

FlexElite IntelliHue, 10 Nodes, White Node/Cable, 305 mm (12 in) On-Center Node Spacing

FlexElite is the brightest and most flexible member of our popular Flex family, and it includes a redesign of all major elements, from its form factor to internal electronics to mechanical design. We created FlexElite to meet the challenges posed by large, unconventional buildings and structures. At its core, you'll find an innovative modular design that lets you create the exact number and configuration of nodes that you need for your design. FlexElite's sections and jumper cables click together quickly and easily, allowing unequalled customization impossible with less-modular solutions. Longer run lengths and node spacing let you take on larger challenges than possible in the past. FlexElite IntelliHue produces millions of saturated colors, pastels, and high-quality white light, in the same precisely controllable luminaire.

Product data

General information		On-axis intensity in candela	
Light source color	IntelliHue		52
Light source replaceable	No	Luminance per node	111353
Optic type	Beam angle 120°	Operating and electrical	
Optical cover/lens type	Tempered glass	Input Voltage	48 V
Luminaire light beam spread	140°	Mechanical and housing	
CE mark	CE mark	Housing Material	Polybutylene terephthalate
UL mark	UL and cUL mark	Optical cover/lens material	Tempered glass
Optic type outdoor	Very wide beam angle 120°	Color	White
Light technical			
Light source flux per node	132 lm		

FlexElite IntelliHue

Approval and application

Ingress protection code	IP66 [Dust penetration-protected, jet-proof]
Mech. impact protection code	IK06 [1 J]
Vibration Standard	Complies with ANSI C136.31, 3G
Corrosion Resistance	Complies with ASTM B117 standard for > 1,500 hours
FCC mark	FCC Class A
Vibration Rating	Complies with ANSI C136.31, 3G

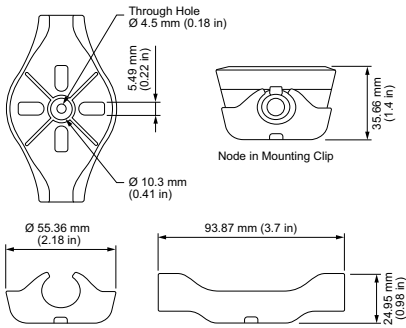
Initial performance (IEC compliant)

Initial luminous flux (system flux)	132 lm
Initial luminous flux at color temperature of 2700 K	137 lm
Initial luminous flux at color temperature of 4000 K	149 lm
Initial LED luminaire efficacy	52.8 lm/W
Initial input power	2.5 W

Over time performance (IEC compliant)

Lumen Maintenance 50% at 25°C Calculated	100000
Lumen Maintenance 50% at 25°C Reported	42000
Lumen Maintenance 50% at 50°C Calculated	100000
Lumen Maintenance 50% at 50°C Reported	42000
Lumen Maintenance 70% at 25°C Calculated	100000
Lumen Maintenance 70% at 25°C Reported	42000
Lumen Maintenance 70% at 50°C Calculated	100000
Lumen Maintenance 70% at 50°C Reported	42000

Dimensional drawing



BGC496 IHUE ROGGRBPL 10 WH P305

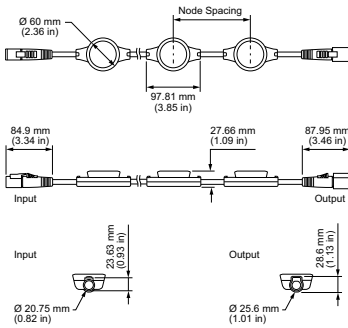
Lumen Maintenance 80% at 25°C Calculated	100000
Lumen Maintenance 80% at 25°C Reported	42000
Lumen Maintenance 80% at 50°C Calculated	80740
Lumen Maintenance 80% at 50°C Reported	42000
Lumen Maintenance 90% at 25°C Calculated	44802
Lumen Maintenance 90% at 25°C Reported	42000
Lumen Maintenance 90% at 50°C Calculated	35439
Lumen Maintenance 90% at 50°C Reported	35439

Application conditions

Ambient temperature range	-40 to +50 °C
---------------------------	---------------

Product data

Full product code	871869937553999
Order product name	BGC496 IHUE ROGGRBPL 10 WH P305
EAN/UPC - Product	8718699375539
Order code	401-000001-28
Numerator - Quantity Per Pack	1
Numerator - Packs per outer box	6
Material Nr. (12NC)	912400136363
Net Weight (Piece)	1.540 kg
Catalog Number	401-000001-28
Catalog Number Description	FlexElite IntelliHue, 10 Nodes, White Node/Cable, 305 mm (12 in) On-Center Node Spacing



BGC496 IHUE ROGGRBPL 10 WH P305

