



FlexElite RGB

FlexElite iColor, RGB, 2 Nodes, Black Node/ Cable, 500 mm (1.6 ft) On-Center Node Spacing

FlexElite iColor, RGB, 2 Nodes, Black Node/Cable, 500 mm (1.6 ft) On-Center Node Spacing

FlexElite is the brightest and most flexible member of our popular Flex family. It includes a from-the-ground-up redesign of all major elements, from its form factor to internal electronics to mechanical design. We created FlexElite to meet the challenges posed by large, unconventional buildings and structures. At its core, you'll find an innovative modular design that lets you create the exact number and configuration of nodes that you need for your design. FlexElite's sections and jumper cables click together quickly and easily, allowing unequalled customization impossible with less-modular solutions. Longer run lengths and node spacing let you take on larger challenges than possible in the past. FlexElite RGB adds a separate amber LED which expands the available range of colors to include warmer tones such as rich gold, yellow and orange shades.

Product data

General information	
Light source color	RGBA
Light source replaceable	No
Optic type	Beam angle 120°
Optical cover/lens type	Tempered glass
Luminaire light beam spread	140°
CE mark	CE mark
UL mark	UL and cUL mark
Optic type outdoor	Very wide beam angle 120°

Light technical	
Light source flux per node	89 lm
On-axis intensity in candela	40
Luminance per node	69231

Operating and electrical	
Input Voltage	48 V

Mechanical and housing	
Housing Material	Polybutylene terephthalate
Optical cover/lens material	Tempered glass

FlexElite RGBA

Length	100 mm
Color	Black
Approval and application	
Ingress protection code	IP66 [Dust penetration-protected, jet-proof]
Mech. impact protection code	IK06 [1 J]
Vibration Standard	Complies with ANSI C136.31, 3G
Corrosion Resistance	Complies with ASTM B117 standard for > 1,500 hours
FCC mark	FCC Class A
Vibration Rating	Complies with ANSI C136.31, 3G

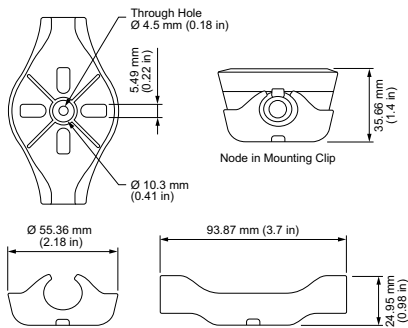
Initial performance (IEC compliant)

Initial luminous flux (system flux)	89 lm
Initial LED luminaire efficacy	7.1 lm/W
Initial input power	2.5 W

Over time performance (IEC compliant)

Lumen Maintenance 50% at 25°C Calculated	100000
Lumen Maintenance 50% at 25°C Reported	42000
Lumen Maintenance 50% at 50°C Calculated	100000
Lumen Maintenance 50% at 50°C Reported	42000
Lumen Maintenance 70% at 25°C Calculated	100000
Lumen Maintenance 70% at 25°C Reported	42000
Lumen Maintenance 70% at 50°C Calculated	100000
Lumen Maintenance 70% at 50°C Reported	42000
Lumen Maintenance 80% at 25°C Calculated	79355

Dimensional drawing



BGC496 RGBA RRGGBPA 2 BK P500

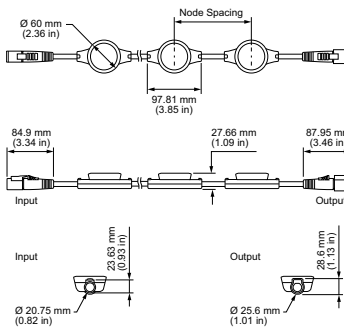
Lumen Maintenance 80% at 25°C Reported	42000
Lumen Maintenance 80% at 50°C Calculated	79355
Lumen Maintenance 80% at 50°C Reported	42000
Lumen Maintenance 90% at 25°C Calculated	35029
Lumen Maintenance 90% at 25°C Reported	35029
Lumen Maintenance 90% at 50°C Calculated	35029
Lumen Maintenance 90% at 50°C Reported	35029

Application conditions

Ambient temperature range	-40 to +50 °C
---------------------------	---------------

Product data

Full product code	871869937580599
Order product name	BGC496 RGBA RRGGBPA 2 BK P500
EAN/UPC - Product	8718699375805
Order code	401-000003-04
Numerator - Quantity Per Pack	1
Numerator - Packs per outer box	6
Material Nr. (12NC)	912400136381
Net Weight (Piece)	0.390 kg
Catalog Number	401-000003-04
Catalog Number Description	FlexElite iColor, RGBA, 2 Nodes, Black Node/Cable, 500 mm (1.6 ft) On-Center Node Spacing



BGC496 RGBA RRGGBPA 2 BK P500

FlexElite RGBA

