



CoreLine Recessed Spot

RS141B LED6-32-/840 PSR PI6 WH

CoreLine Recessed Spot, 8 W, 650 lm, 4000 K, Analog, Beam angle 32°, White RAL9010

CoreLine Recessed Spot is a recessed spot range designed to replace halogen-based luminaires. Its halogen-like look and attractive price make it easier for customers to make the switch to LED. This product provides a natural lighting effect for accent lighting applications, as well as instant energy savings and much longer lifetime – an environmentally friendly solution. With the push-in connectors, installation is fast and straightforward.

Product data

General Information		Flammability mark	
Light source replaceable	No		For mounting on normally flammable surfaces
Number of gear units	1 unit	ENEC mark	-
Driver included	Yes	Glow-wire test	Temperature 650 °C, duration 30 s
Remarks	*-Per Lighting Europe guidance paper "Evaluating performance of LED based luminaires - January 2018": statistically there is no relevant difference in lumen maintenance between B50 and for example B10. Therefore, the median useful life (B50) value also represents the B10 value.	EU RoHS compliant	Yes
Lighting Technology		Light Technical	
Lighting Technology	LED	Luminous Flux	650 lm
Value ladder	Performance	Correlated Color Temperature (Nom)	4000 K
CE mark	Yes	Luminous Efficacy (rated) (Nom)	82 lm/W
Warranty period	5 years	Color rendering index (CRI)	85
		Beam angle of light source	32 degree(s)
		Light source color	840 neutral white
		Optic type	Beam angle 32°
		Luminaire light beam spread	32°

CoreLine Recessed Spot

Unified glare rating CEN	22
--------------------------	----

Operating and Electrical

Input Voltage	220 to 240 V
Line Frequency	50 to 60 Hz
Inrush current	7 A
Inrush time	500 ms
Power Consumption	8 W
Power Factor (Fraction)	0.9
Connection	Push-in connector 6-pole
Cable	-
Number of products on MCB of 16 A type B	40

Temperature

Ambient temperature range	0 to +35 °C
---------------------------	-------------

Controls and Dimming

Dimmable	Yes
Driver/power unit/transformer	Power supply unit regulating
Control interface	Analog
Constant light output	No

Mechanical and Housing

Housing Material	Aluminum die cast
Reflector material	Polycarbonate
Optic material	Polycarbonate
Optical cover material	Polycarbonate
Fixation material	Stainless steel
Housing Color	White RAL9010
Optical cover finish	Clear
Overall height	59.5 mm
Overall diameter	95 mm

Approval and Application

Ingress protection code	IP44 [Wire-protected, splash-proof]
Mech. impact protection code	IK02 [0.2 J standard]
Sustainability rating	-
Protection class IEC	Safety class II

Initial Performance (IEC Compliant)

Luminous flux tolerance	+/-10%
Initial chromaticity	(0.38, 0.38) SDCM <5
Power consumption tolerance	+/-10%

Over Time Performance (IEC Compliant)

Control gear failure rate at median useful life 50000 h	5 %
Lumen maintenance at median useful life* 50000 h	L70

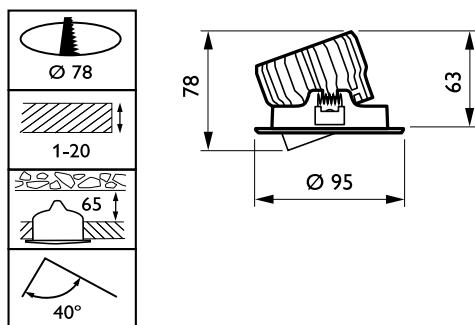
Application Conditions

Performance ambient temperature Tq	25 °C
Maximum dim level	10%
Suitable for random switching	Yes

Product Data

Order product name	RS141B LED6-32-/840 PSR PI6 WH
Full product name	RS141B LED6-32-/840 PSR PI6 WH
Full product code	871869938282799
Order code	38282799
Material Nr. (12NC)	912401483036
Numerator - Quantity Per Pack	1
EAN/UPC - Product/Case	8718699382827
Numerator - Packs per outer box	18
EAN/UPC - Case	8718699383091

Dimensional drawing



CoreLine Recessed Spot

